



US00D587750S

(12) **United States Design Patent**
Vasquez

(10) **Patent No.:** **US D587,750 S**

(45) **Date of Patent:** **** Mar. 3, 2009**

(54) **RE-RECORDABLE PAGE INSERT**

(74) *Attorney, Agent, or Firm*—John Karl Buche; Scott D. Compton; Buche & Associates, P.C.

(76) Inventor: **Jeanne Vasquez**, 15822 Heartwood Way, Cypress, TX (US) 77433

(57) **CLAIM**

(**) Term: **14 Years**

The ornamental design for a re-recordable page insert, as shown and described.

(21) Appl. No.: **29/317,973**

(22) Filed: **May 10, 2008**

DESCRIPTION

(51) **LOC (9) Cl.** **19-04**

FIG. 1 is a perspective view of the re-recordable page insert including an adjustable tab extending forward therefrom;

(52) **U.S. Cl.** **D19/33**

FIG. 2 is a front elevational view thereof;

(58) **Field of Classification Search** D19/27,

FIG. 3 is a rear elevational view thereof including an adhesive film along its surface;

D19/33, 32, 88, 79, 26, 65, 75, 86, 90, 91, D19/99; D14/167; D6/626; 281/21.1, 22, 281/38, 41, 45; 402/79, 502, 503, 1, 4

See application file for complete search history.

FIG. 4 is a right side elevational view of the re-recordable page insert including an adjustable tab extending forward therefrom;

(56) **References Cited**

FIG. 5 is a left side elevational view thereof;

U.S. PATENT DOCUMENTS

FIG. 6 is a top view thereof;

D298,955 S *	12/1988	Zovar	D19/88
D321,012 S *	10/1991	Wright	D19/88
5,316,404 A *	5/1994	Hensel	402/79
D380,775 S *	7/1997	Lee	D19/33
D395,059 S *	6/1998	Bedol	D19/32
D421,051 S *	2/2000	Jahn	D19/33
D442,631 S *	5/2001	Pfanner et al.	D19/27
D491,407 S *	6/2004	Martinetti	D6/626

FIG. 7 is a bottom view thereof;

* cited by examiner

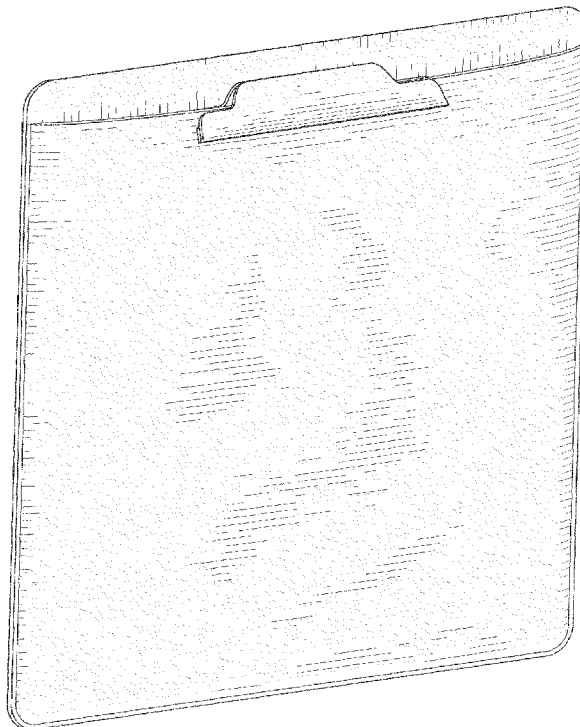
FIG. 8 is a perspective view of the re-recordable page insert illustrating the directional manner of insertion of said page insert within a scrapbook page; and,

Primary Examiner—Cathron Brooks
Assistant Examiner—Austin Murphy

FIG. 9 is a perspective view of the re-recordable page insert in an OFF position within a scrapbook.

The broken lines shown in the drawings form no part of the claimed design.

1 Claim, 5 Drawing Sheets



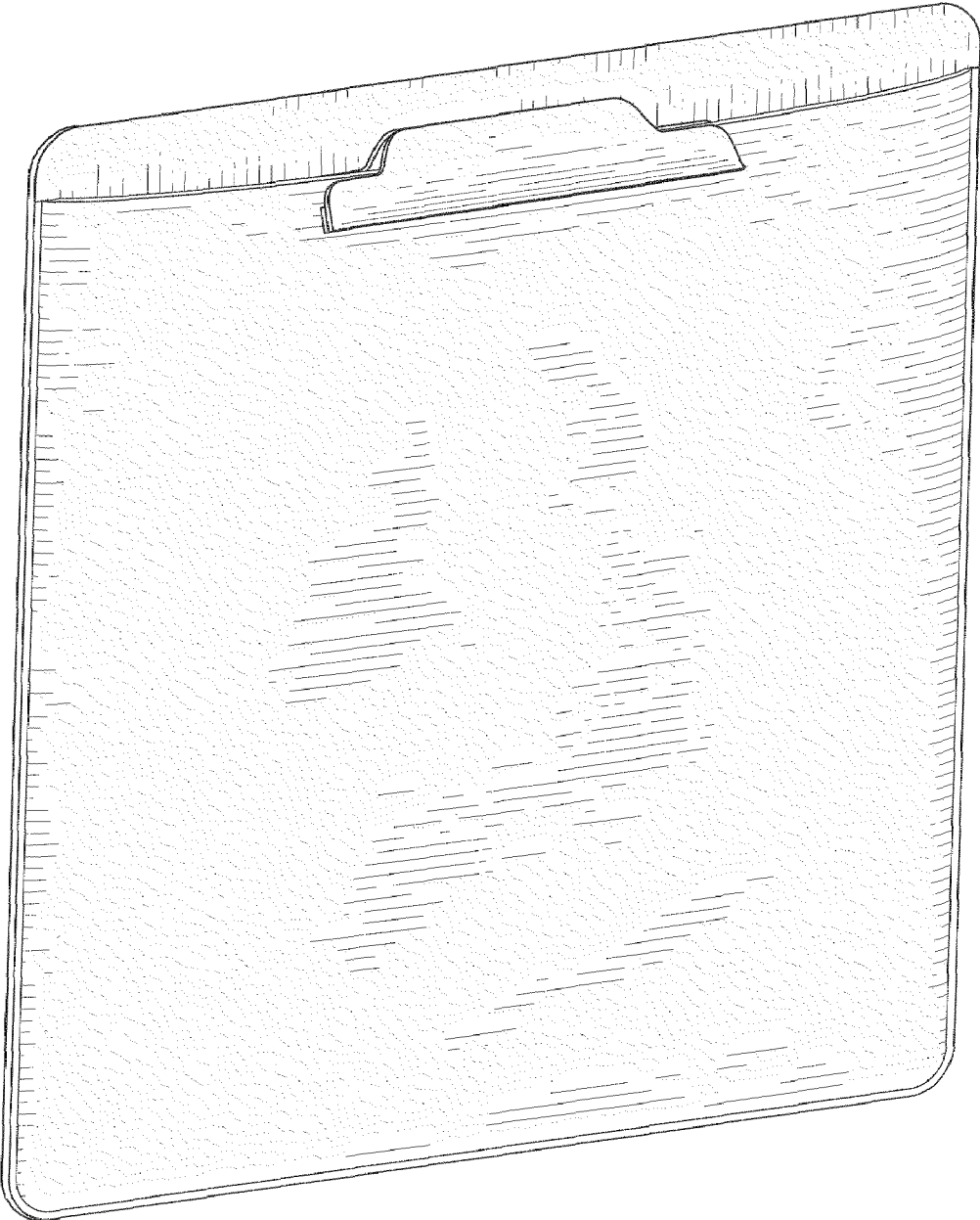


FIG. 1

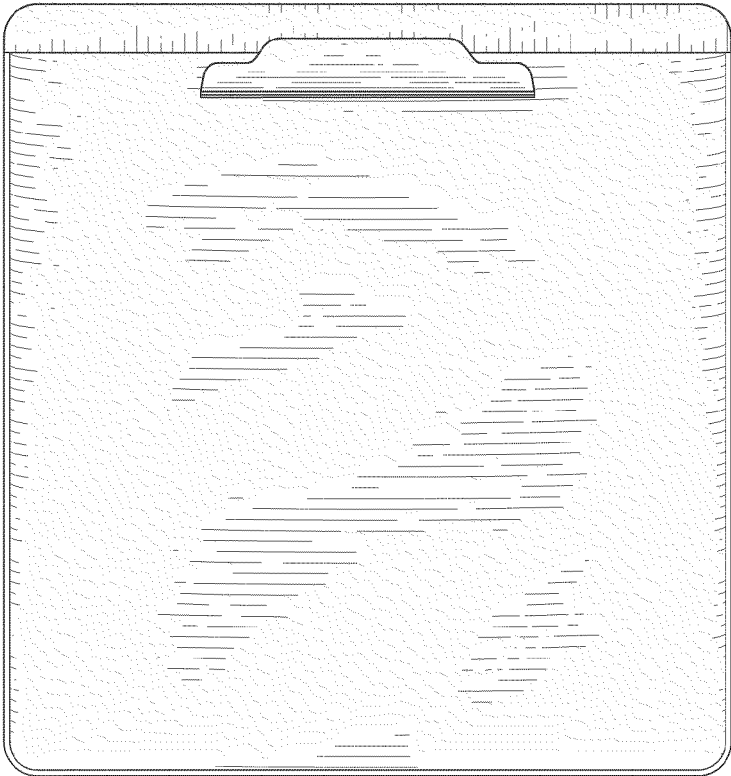


FIG. 2

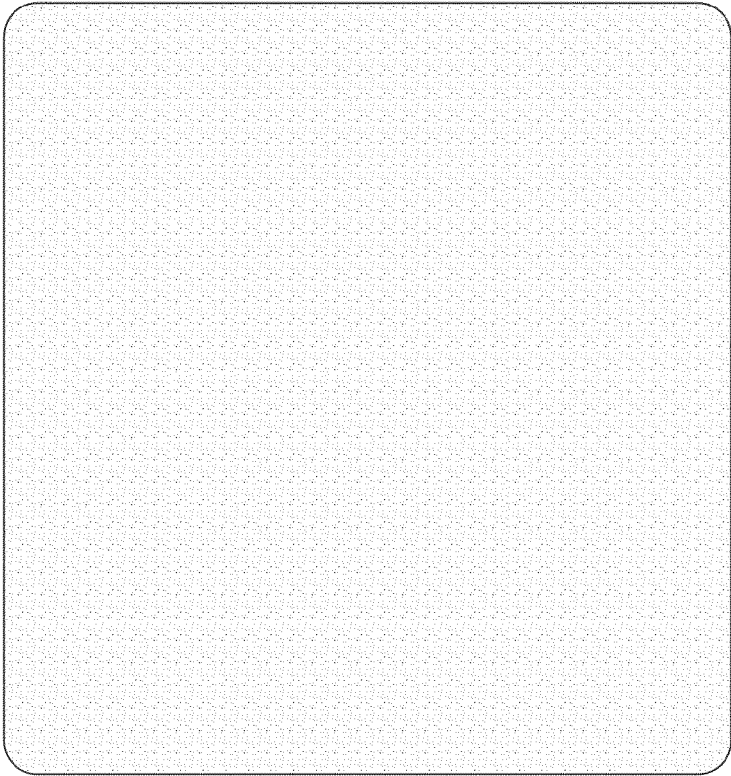


FIG. 3



FIG. 4

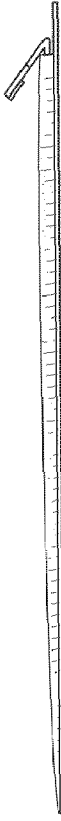


FIG. 5



FIG. 6

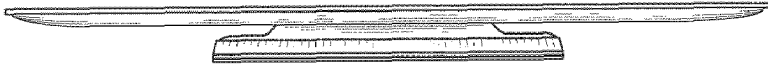


FIG. 7

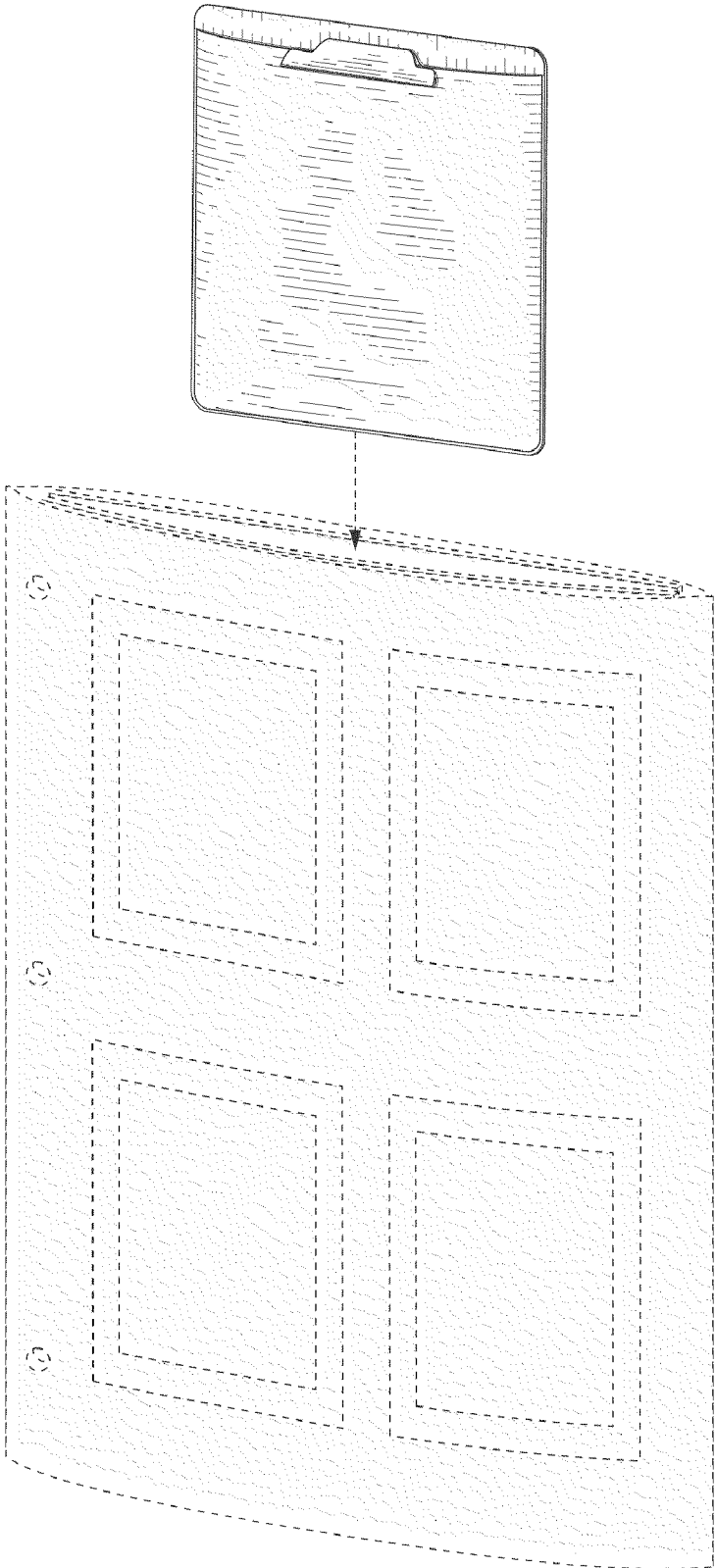


FIG. 8

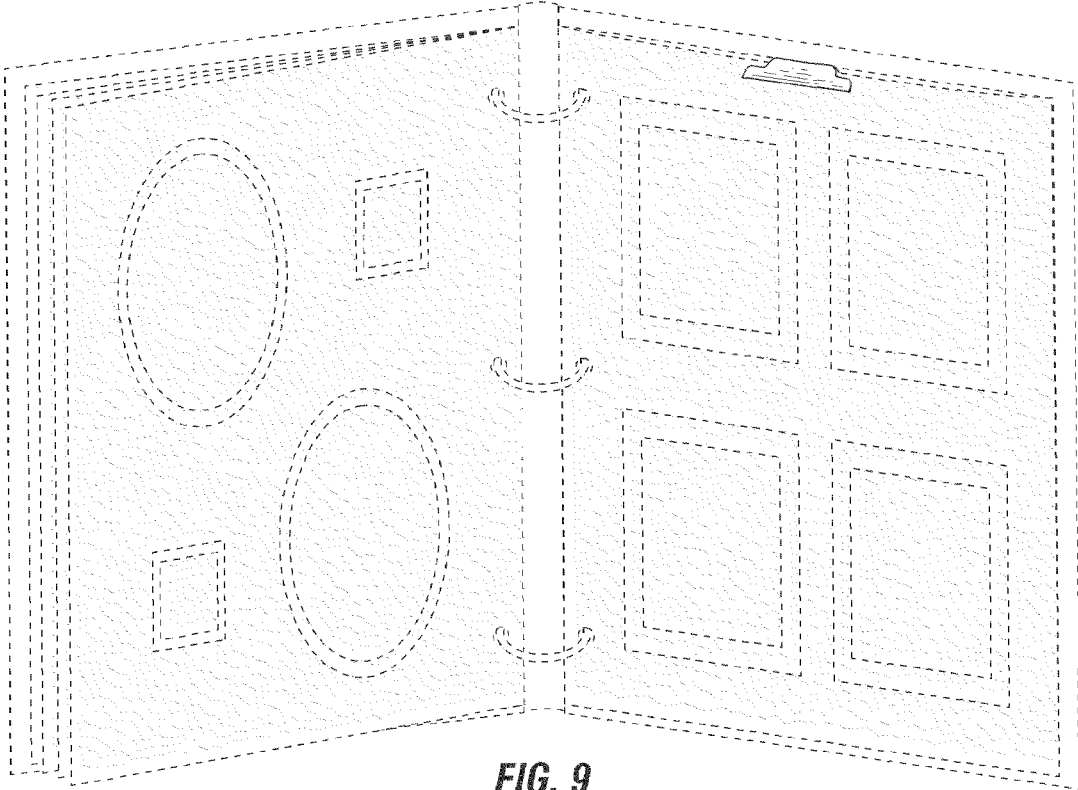


FIG. 9