



US00D623382S

(12) **United States Design Patent**
Hodgson

(10) **Patent No.:** **US D623,382 S**

(45) **Date of Patent:** **** Sep. 14, 2010**

(54) **HEATING OR COOLING VEST**

6,551,347 B1 4/2003 Elkins
6,957,697 B2 10/2005 Chambers

(76) Inventor: **Clayton Hodgson**, 703 Rivers Edge Dr.,
Richmond, TX (US) 77406

(Continued)

(**) Term: **14 Years**

OTHER PUBLICATIONS

(21) Appl. No.: **29/346,747**

Electric Fan Engineering News "Thermal Star® Cooling Vest Main-
tains Body Temperature", 2 pages [on line], [retrieved on Jul. 9,
2010]. Retrieved from Internet, <URL: http://www.google.com>.*

(22) Filed: **Nov. 5, 2009**

Primary Examiner—Ian Simmons

Assistant Examiner—Wan Laymon

(51) **LOC (9) Cl.** **02-02**

(74) *Attorney, Agent, or Firm*—John K. Buche; Buche &
Associates, P.C.

(52) **U.S. Cl.** **D2/829; D2/830**

(58) **Field of Classification Search** D2/828,
D2/829–830, 833, 840, 845, 847, 750–751;
D24/200, 206–207; 62/259.3, 259.4; 607/96,
607/107; 2/458, 69, 7, 92–93, 102, 108,
2/115, DIG. 1

(57) **CLAIM**

See application file for complete search history.

The ornamental design for a heating or cooling vest, as shown
and described.

(56) **References Cited**

DESCRIPTION

U.S. PATENT DOCUMENTS

FIG. 1 is a perspective view of a heating or cooling vest.

FIG. 2 is a front plan view of the heating or cooling vest of
FIG. 1.

26,663	A	1/1860	French	
2,010,132	A	8/1935	Bischoff	
2,875,447	A	3/1959	Goldmerstein	
3,125,865	A	3/1964	Bemelman	
3,192,728	A	7/1965	Timm	
4,253,313	A	3/1981	Rowe	
4,418,745	A	12/1983	Roehr	
4,580,408	A	4/1986	Stuebner	
4,738,119	A *	4/1988	Zafred	607/108
4,747,408	A	5/1988	Chuan-Chih	
5,100,261	A	3/1992	Plemon	
D332,514	S *	1/1993	Brandoff	D2/829
D348,733	S *	7/1994	Truelove	D24/206
5,538,583	A *	7/1996	Szczesuil et al.	2/458
5,921,467	A	7/1999	Larson	
D429,058	S *	8/2000	Derosier	D2/824
6,128,784	A	10/2000	Frank	
6,473,910	B2	11/2002	Creagan et al.	
6,543,247	B2	4/2003	Strauss	

FIG. 3 is a back plan view of the heating or cooling vest of
FIG. 1.

FIG. 4 is a right side plan view of the heating or cooling vest
of FIG. 1.

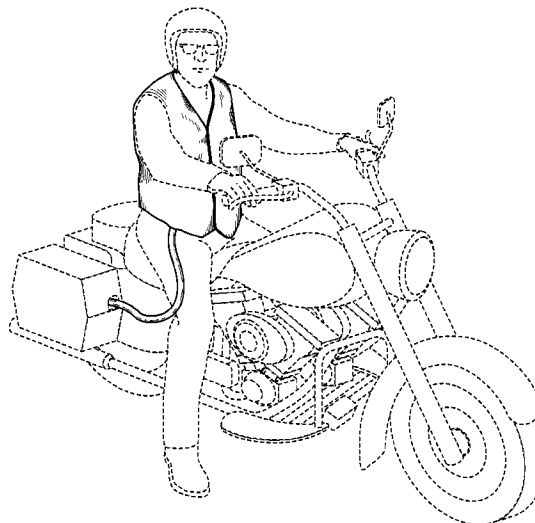
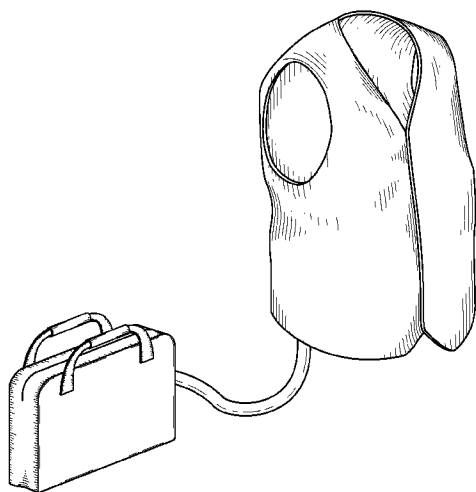
FIG. 5 is a left side plan view of the heating or cooling vest of
FIG. 1.

FIG. 6 is a top plan view of the heating or cooling vest of FIG.
1.

FIG. 7 is a bottom plan view of the heating or cooling vest of
FIG. 1; and,

FIG. 8 is another perspective view of the heating or cooling
vest of FIG. 1, where the broken lines showing a person and
a motorcycle are included for illustrating environmental
structure and form no part of the claimed design.

1 Claim, 5 Drawing Sheets



US D623,382 S

Page 2

U.S. PATENT DOCUMENTS			
7,120,938	B2 *	10/2006	Ichigaya 2/458
7,698,905	B1 *	4/2010	Carpenter et al. 62/259.3
2003/0098143	A1	5/2003	Winkle
2007/0044503	A1	3/2007	McCarrell
2007/0084496	A1	4/2007	Edey
2008/0315014	A1	12/2008	Spurlin
2010/0084125	A1 *	4/2010	Goldstein et al. 62/259.3

* cited by examiner

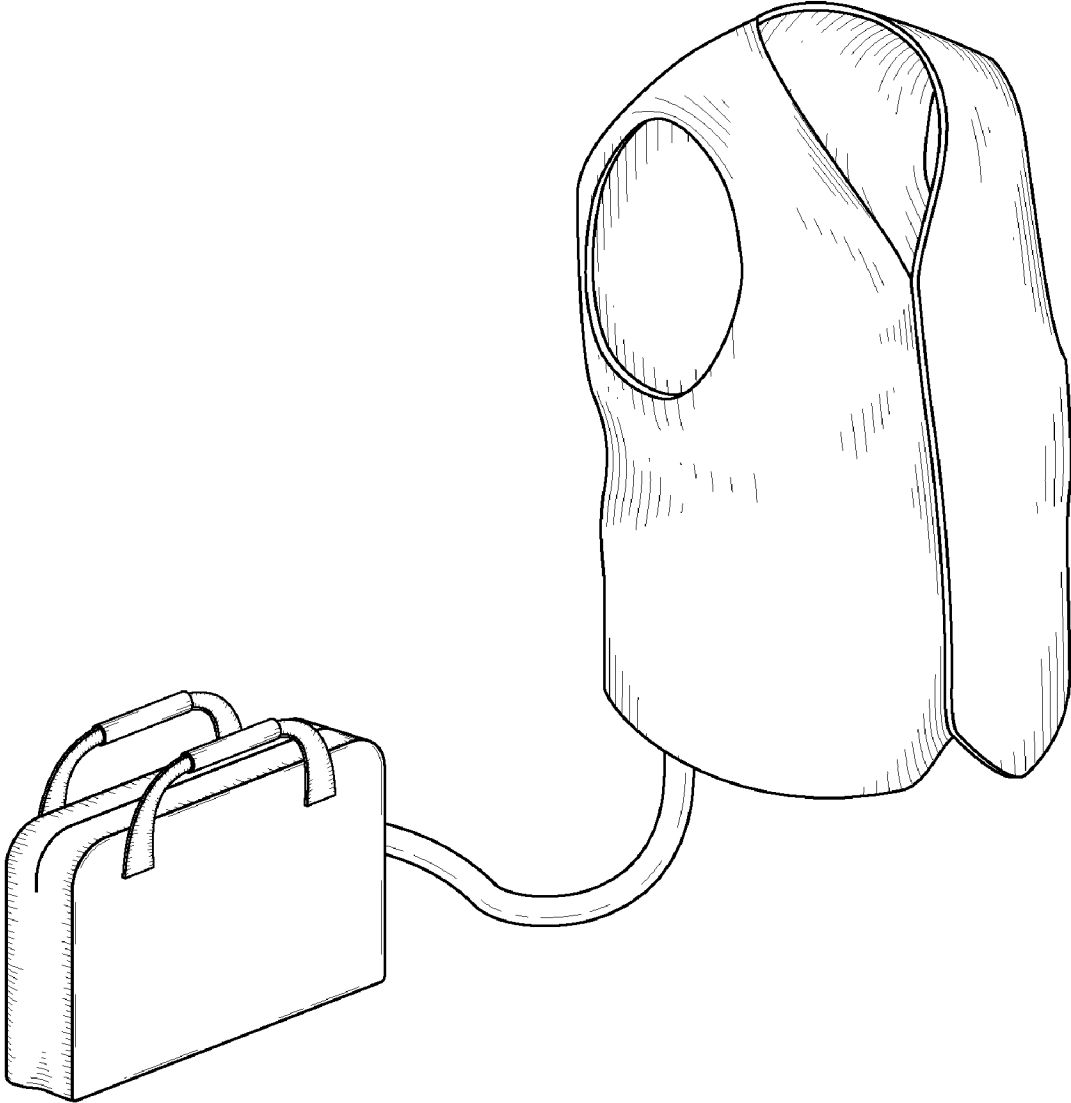


FIG. 1

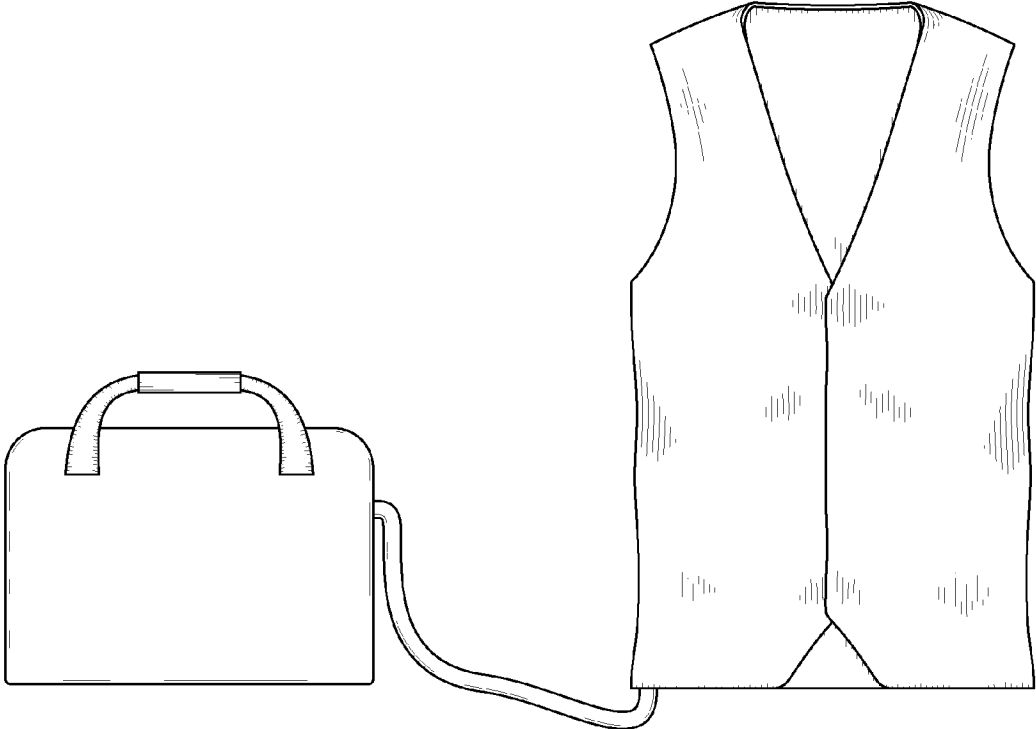


FIG. 2

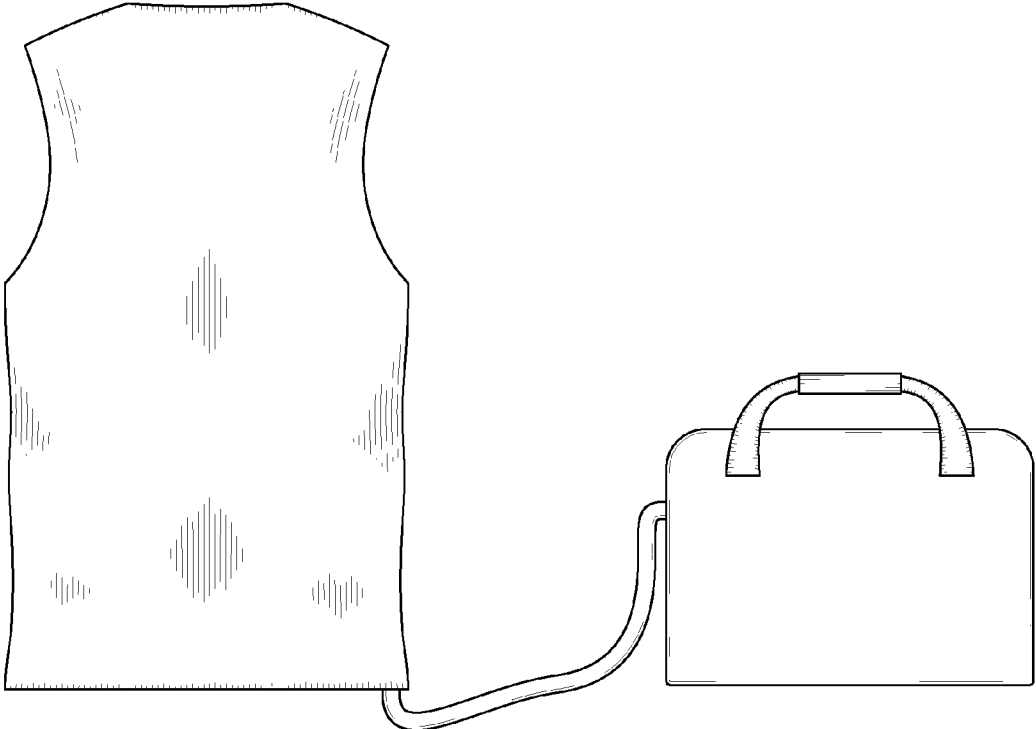


FIG. 3

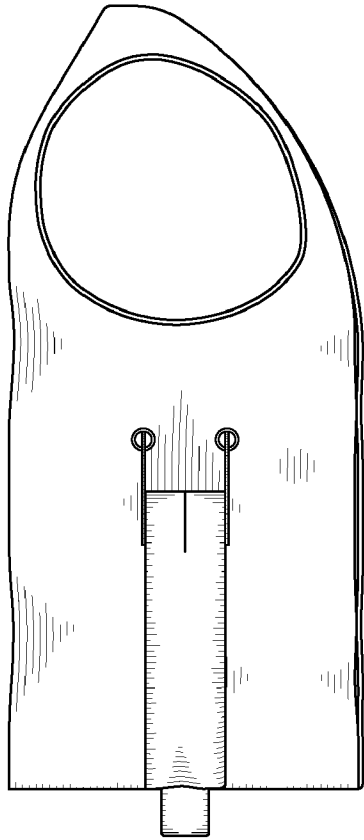


FIG. 4



FIG. 5

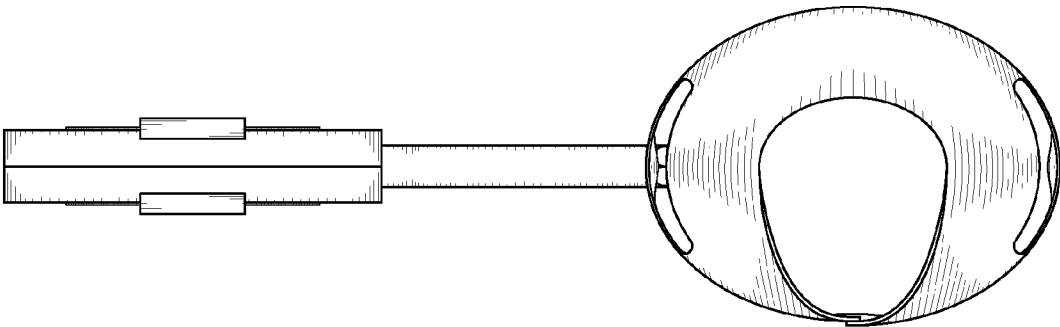


FIG. 6

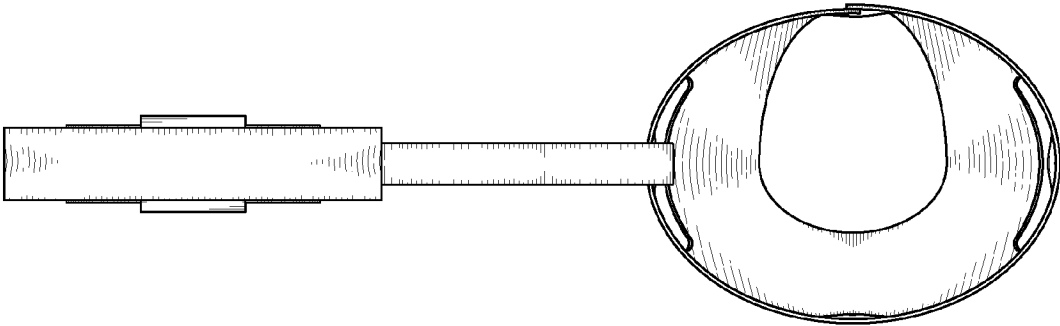


FIG. 7

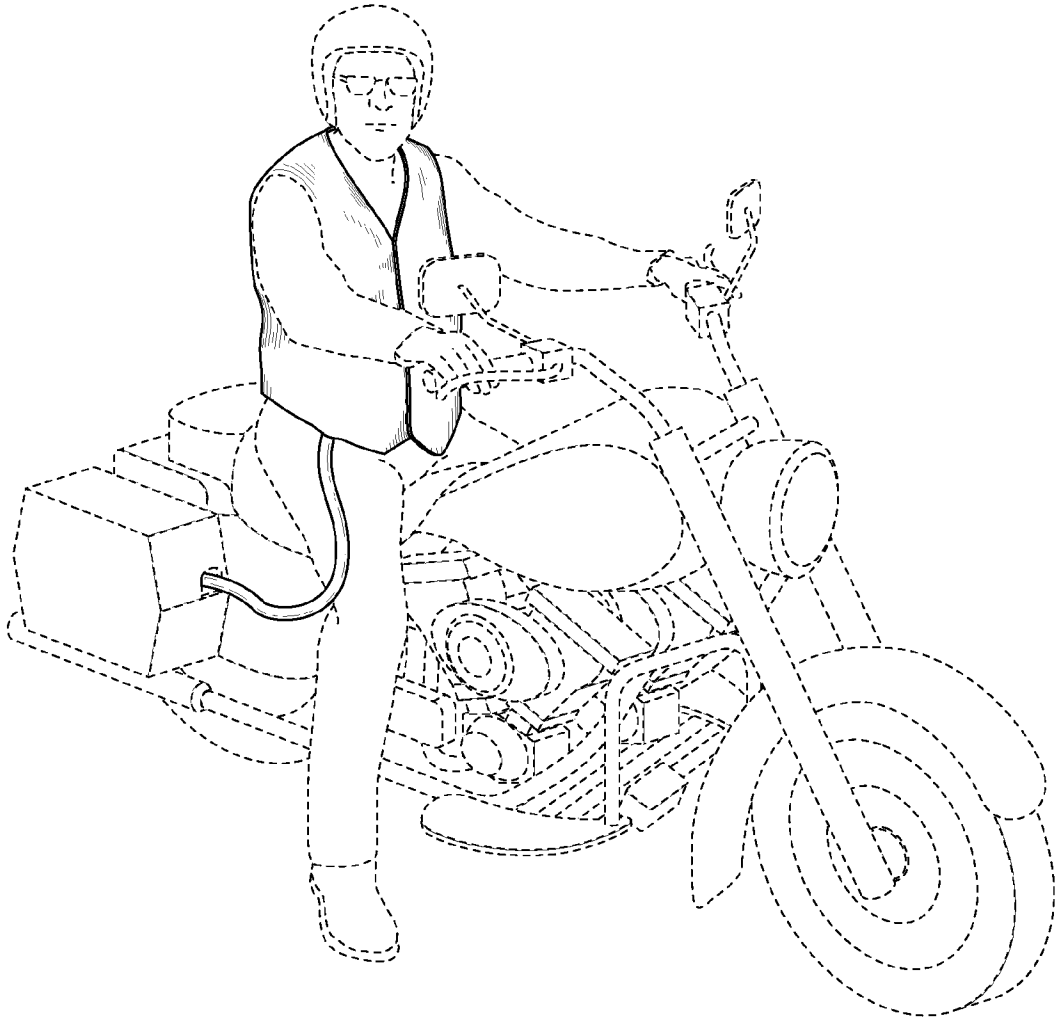


FIG. 8