

(12) **United States Design Patent**
Stanley

(10) **Patent No.:** US D628,872 S
(45) **Date of Patent:** ** Dec. 14, 2010

- (54) **PORTABLE APPENDAGE**
- (76) Inventor: **Lonnie Stanley**, 3305 FM 1669,
Huntington, TX (US) 75949
- (**) Term: **14 Years**
- (21) Appl. No.: **29/343,330**
- (22) Filed: **Sep. 10, 2009**
- (51) **LOC (9) Cl.** **08-05**
- (52) **U.S. Cl.** **D8/354**
- (58) **Field of Classification Search** D12/162;
280/414.1-414.3, 482, 415.1; D8/354, 349;
248/200, 300
See application file for complete search history.

(56) **References Cited**

U.S. PATENT DOCUMENTS

2,256,123	A	9/1941	Medigovich	
3,337,988	A	8/1967	Burton	
4,744,537	A	5/1988	Buckley	
5,049,110	A	9/1991	Owens	
5,199,527	A	4/1993	Jennings	
5,205,375	A	4/1993	Shriver	
5,263,675	A	11/1993	Roberts et al.	
D365,072	S *	12/1995	Vallance D12/162
5,562,534	A	10/1996	McGough	
5,601,274	A	2/1997	Minor et al.	
5,632,461	A	5/1997	von Helms et al.	
5,820,455	A	10/1998	Breedlove	
6,045,442	A	4/2000	Bounds	
6,059,240	A	5/2000	Gorsuch	
6,062,974	A *	5/2000	Williams 452/187
6,170,609	B1	1/2001	Dech	
6,202,964	B1	3/2001	Thornhill	
D468,681	S *	1/2003	Rath D12/400
6,663,065	B1	12/2003	Whittenburg	
D485,516	S *	1/2004	McCoy et al. D12/162
6,695,688	B1	2/2004	Owen et al.	
6,739,964	B2	5/2004	Gearhart	
7,314,406	B2	1/2008	Bilinovich	
7,476,149	B2	1/2009	Burrows	

Primary Examiner—Holly H Baynham
(74) *Attorney, Agent, or Firm*—John K. Buche; Scott Compton; Buche & Associates, P.C.

(57) **CLAIM**

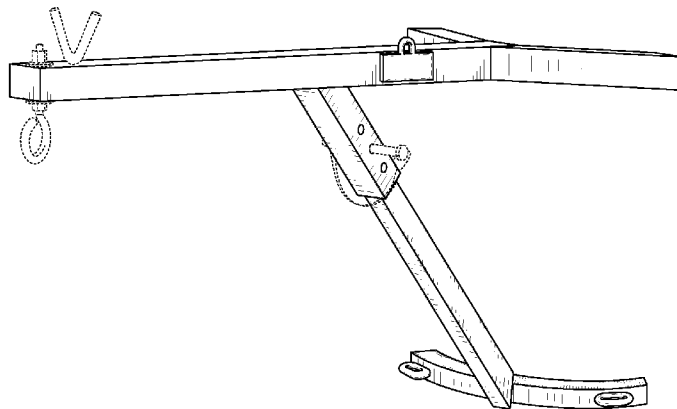
The ornamental design for a portable appendage, as shown and described.

DESCRIPTION

FIG. 1 is a front perspective view of a portable appendage showing my new design, wherein the broken lines are for illustrative purposes and form no part of the claimed design; FIG. 2 is a right side view of the same, wherein the broken lines are for illustrative purposes and form no part of the claimed design; FIG. 3 is a left side view of the same, wherein the broken lines are for illustrative purposes and form no part of the claimed design; FIG. 4 is a top view of the same, wherein the broken lines are for illustrative purposes and form no part of the claimed design; FIG. 5 is a bottom view of the same, wherein the broken lines are for illustrative purposes and form no part of the claimed design; FIG. 6 is a front view of the same, wherein the broken lines are for illustrative purposes and form no part of the claimed design; and FIG. 7 is a back view of the same, wherein the broken lines are for illustrative purposes and form no part of the claimed design; and, FIG. 8 is a front perspective view of the same, wherein the broken lines shown are included for the purpose of illustrating environmental structure that forms no part of the claimed design.

(Continued)

1 Claim, 5 Drawing Sheets



US D628,872 S

Page 2

U.S. PATENT DOCUMENTS

7,544,120 B1 6/2009 Tardif et al.
7,584,940 B2 9/2009 Gee
2003/0094553 A1 5/2003 Mullis

2003/0228838 A1 12/2003 Gearhart
2006/0197000 A1 9/2006 Meltzer
2008/0085669 A1 4/2008 Burrows

* cited by examiner

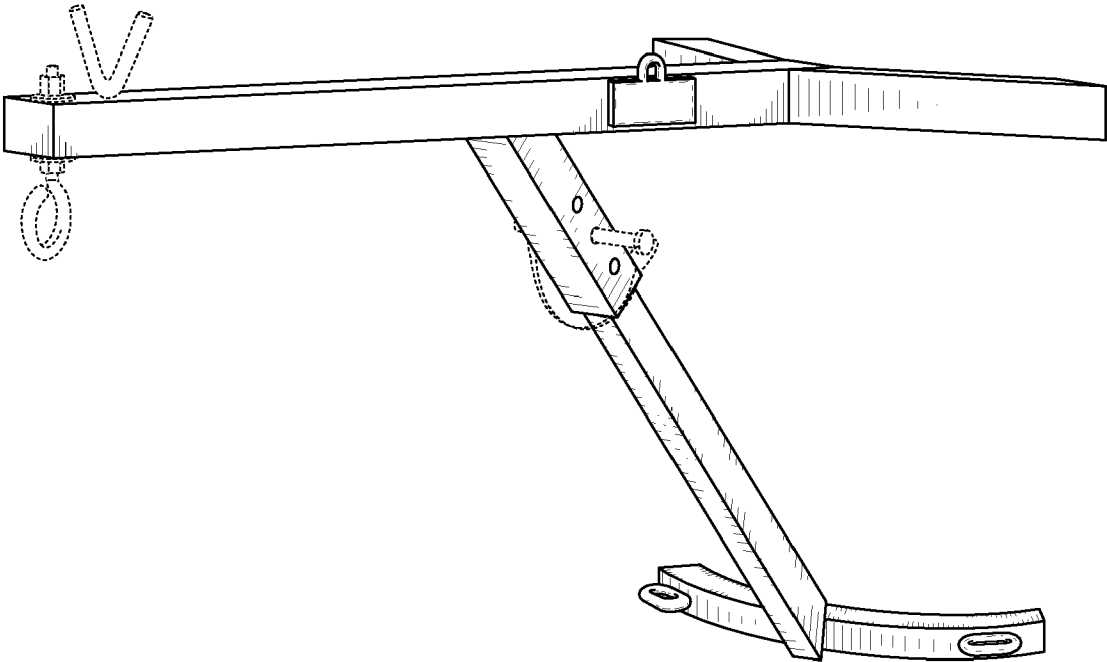


FIG. 1

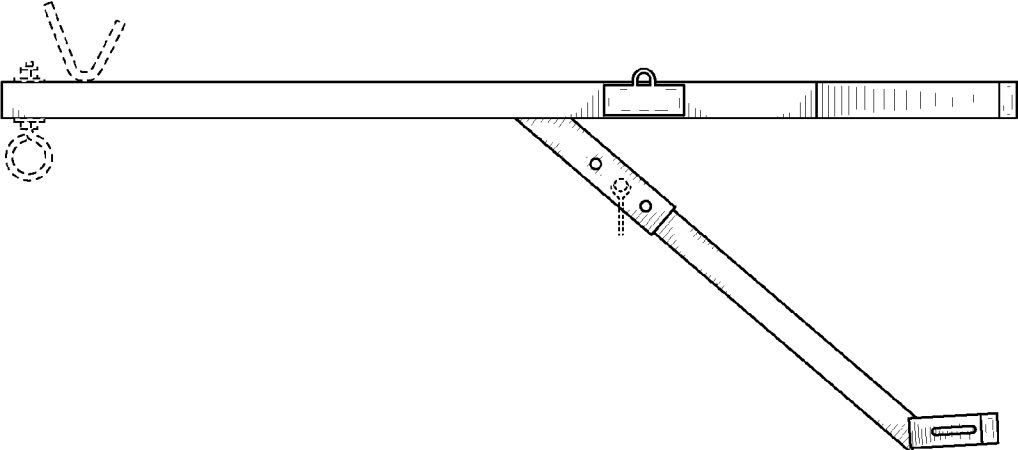


FIG. 2

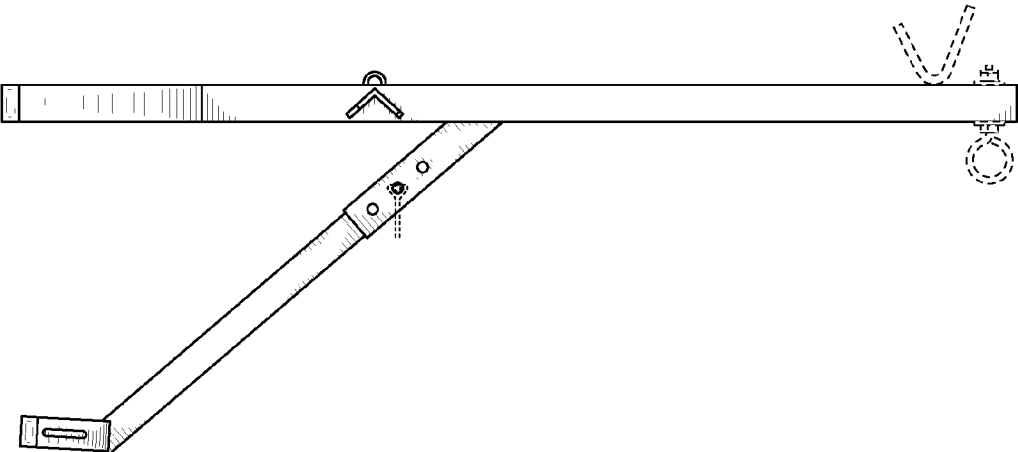


FIG. 3

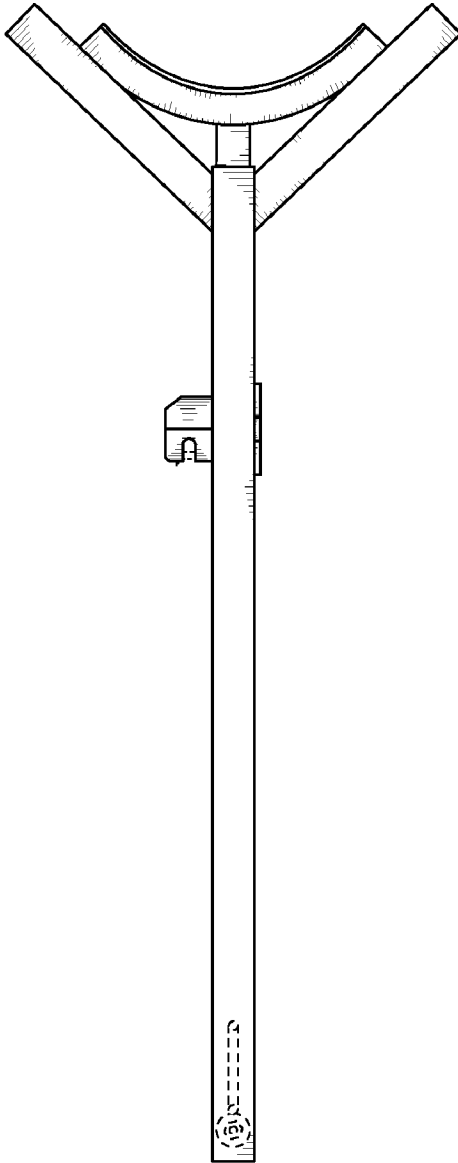


FIG. 4

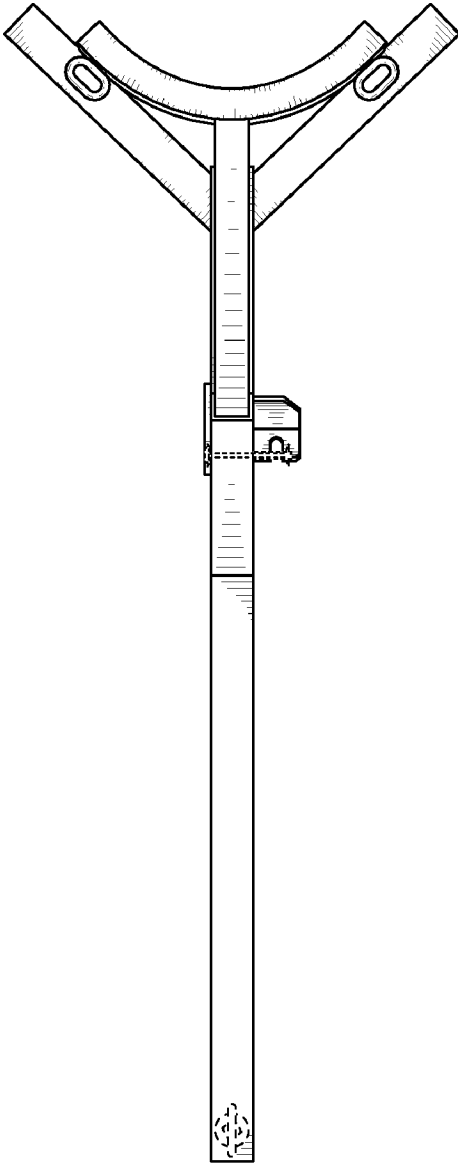


FIG. 5

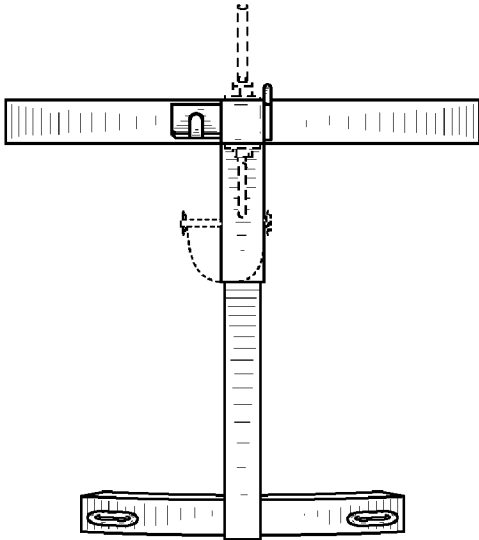


FIG. 6

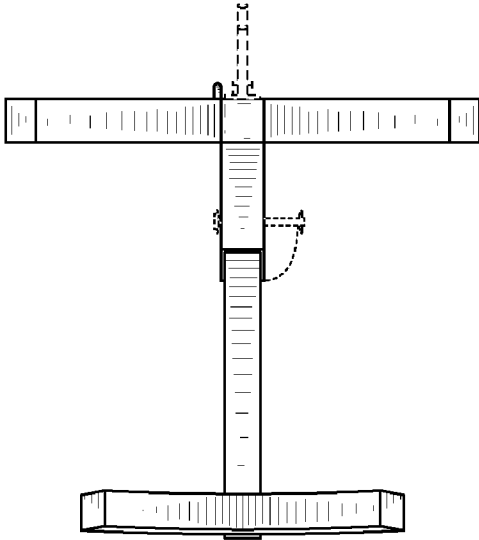


FIG. 7

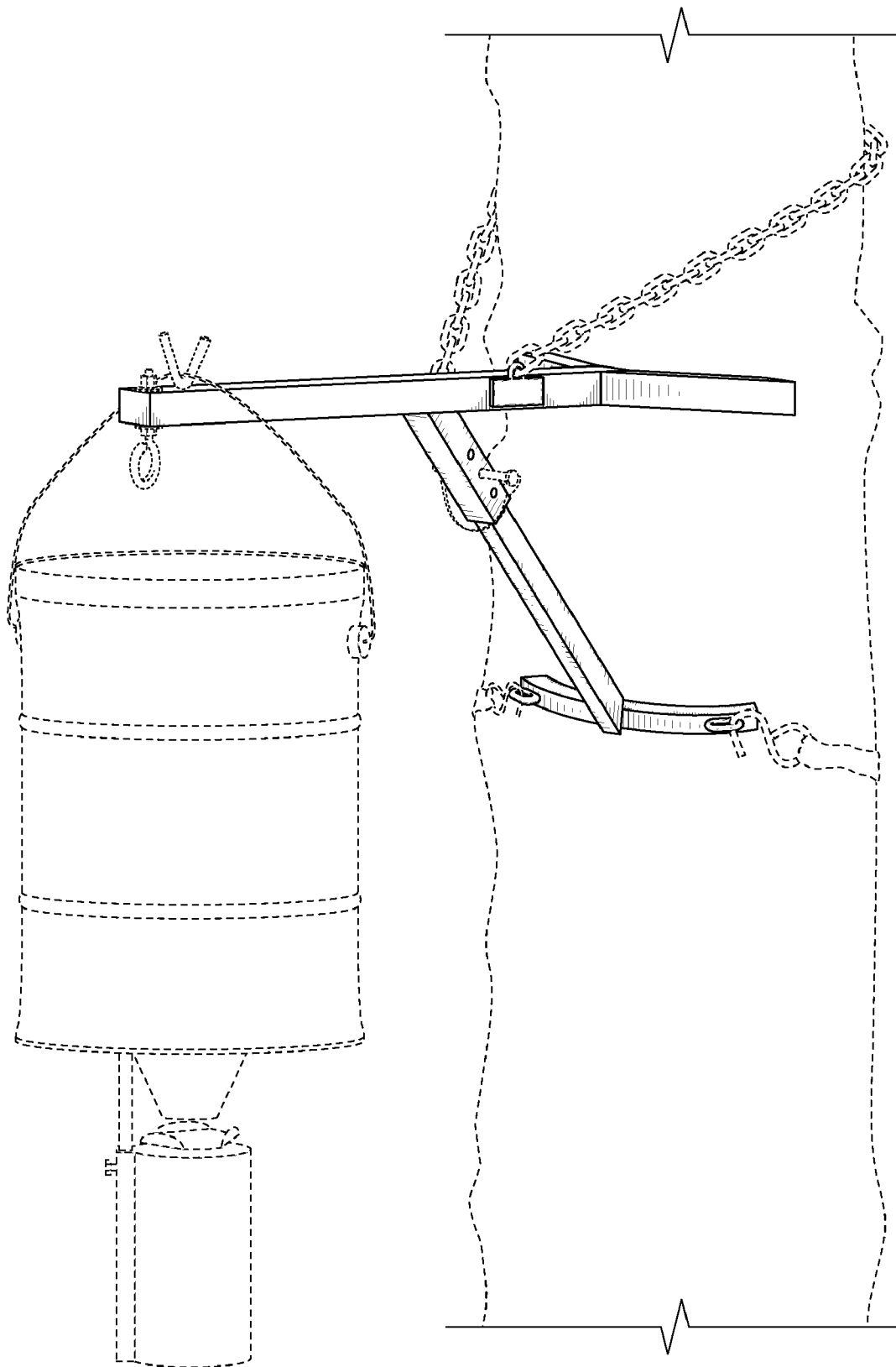


FIG. 8