



US00D615752S

(12) **United States Design Patent**
Chang

(10) **Patent No.:** **US D615,752 S**
(45) **Date of Patent:** **** May 18, 2010**

(54) **CLIP LOCKING MECHANISM**

DESCRIPTION

(76) Inventor: **David Chang**, 10415 Westpark Dr., Suite B, Houston, TX (US) 77042

(**) Term: **14 Years**

(21) Appl. No.: **29/342,079**

(22) Filed: **Aug. 18, 2009**

(51) **LOC (9) Cl.** **03-01**

(52) **U.S. Cl.** **D3/218**

(58) **Field of Classification Search** D3/218,
D3/215, 219, 226, 228, 201, 269; 224/236,
224/240-241, 646, 666, 678, 901, 904; 379/455,
379/446; D14/250-251, 253, 434; 206/305,
206/320; 455/90, 92

See application file for complete search history.

(56) **References Cited**

U.S. PATENT DOCUMENTS

D466,122 S * 11/2002 Moody D14/434

D596,393 S * 7/2009 Leung et al. D3/218

D606,739 S * 12/2009 Fahrendorff et al. D3/218

* cited by examiner

Primary Examiner—Catherine R Oliver

(74) *Attorney, Agent, or Firm*—John K. Buche; Scott Compton; Buche & Associates, P.C.

(57) **CLAIM**

The ornamental design for a clip locking mechanism, as shown and described.

FIG. 1 is a perspective view of a clip locking mechanism showing my new design, wherein the broken lines form no part of the claimed design;

FIG. 2 is a bottom view of the same, wherein the broken lines form no part of the claimed design;

FIG. 3 is a top view of the same, wherein the broken lines form no part of the claimed design;

FIG. 4 is a right side view of the same, wherein the broken lines form no part of the claimed design;

FIG. 5 is a left side view of the same, wherein the broken lines form no part of the claimed design;

FIG. 6 is a front view of the same, wherein the broken lines form no part of the claimed design;

FIG. 7 is a rear view of the same, wherein the broken lines form no part of the claimed design;

FIG. 8 is a right side cross sectional view of the same, wherein the broken lines form no part of the claimed design;

FIG. 9 is a top cross sectional view of the same, wherein the broken lines form no part of the claimed design;

FIG. 10 is a perspective view of the clip locking mechanism;

FIG. 11 is a bottom view of the same;

FIG. 12 is a top view of the same;

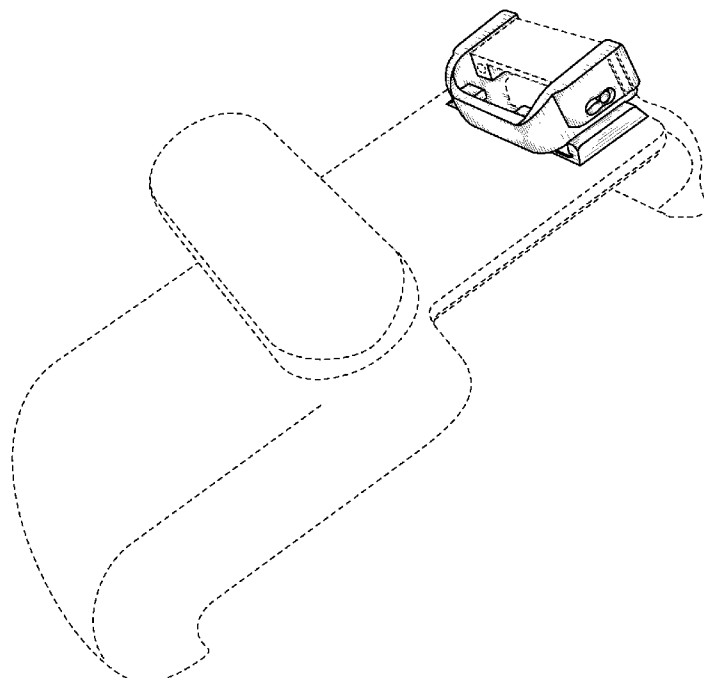
FIG. 13 is a front view of the same;

FIG. 14 is a rear view of the same;

FIG. 15 is left side view of the same; and,

FIG. 16 is a right side view of the same.

1 Claim, 4 Drawing Sheets



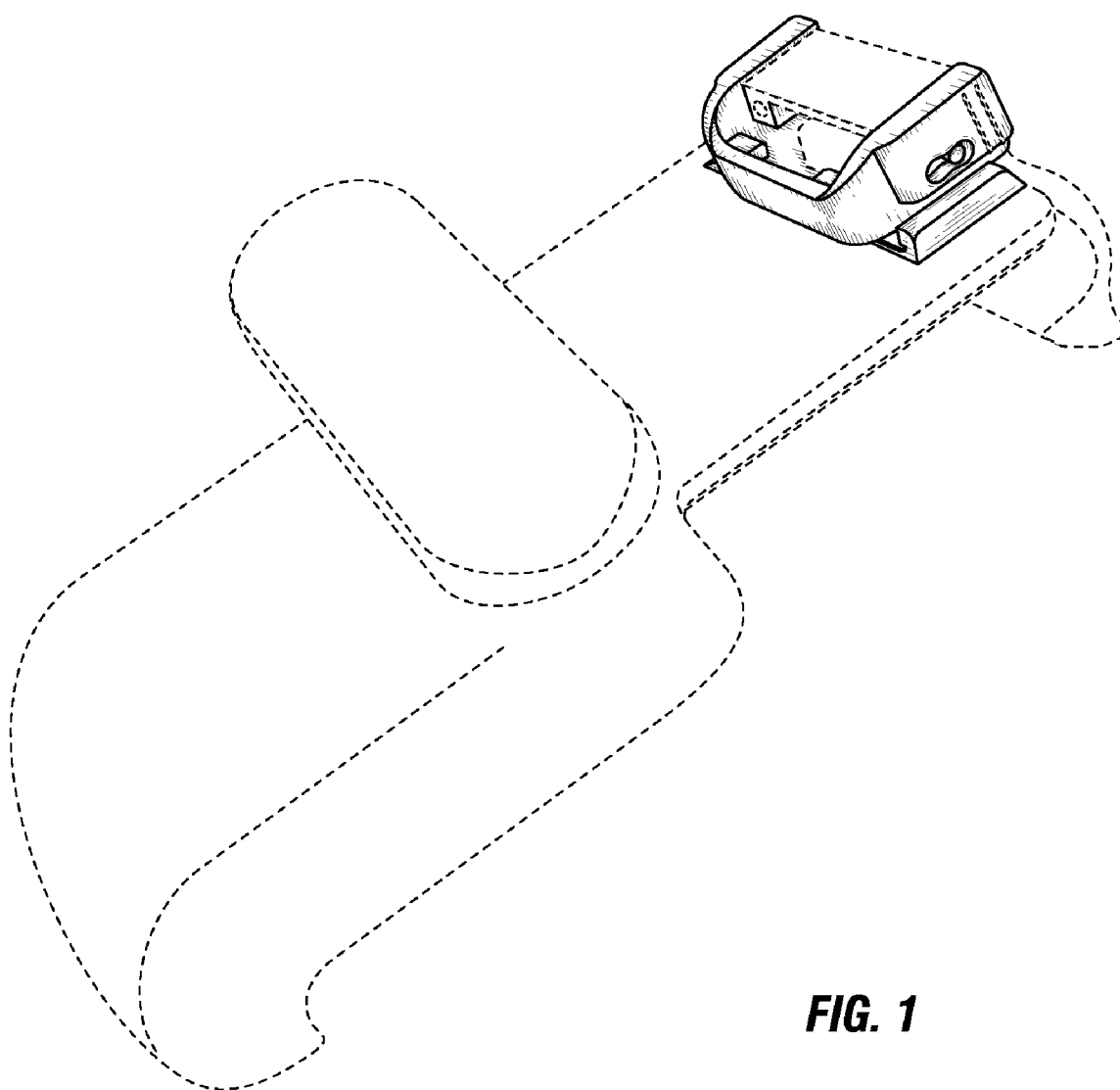


FIG. 1

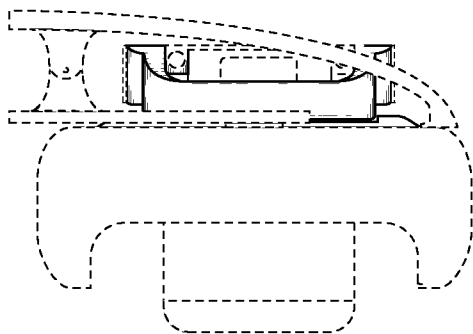


FIG. 2

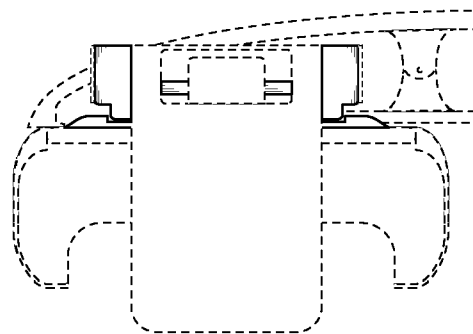


FIG. 3

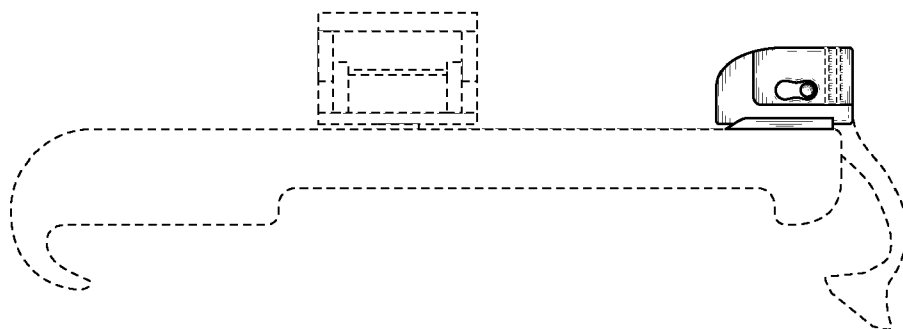


FIG. 4

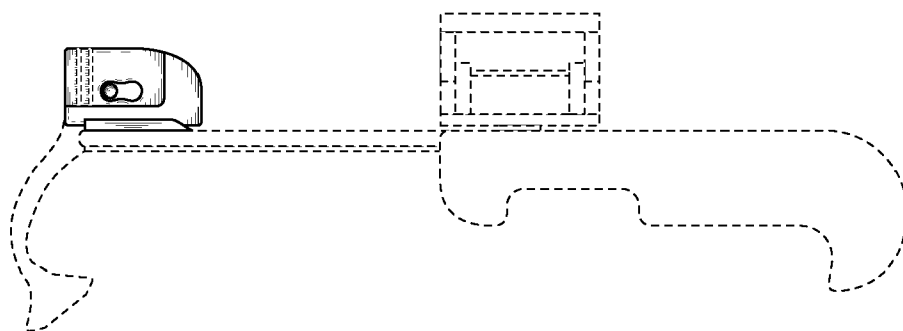


FIG. 5

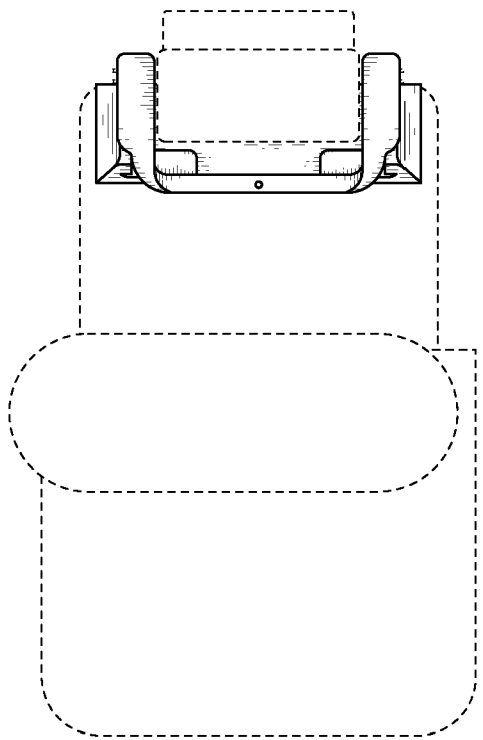


FIG. 6

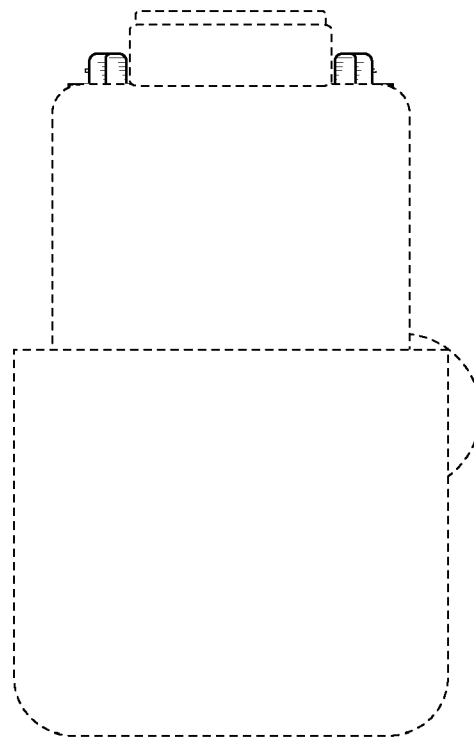


FIG. 7

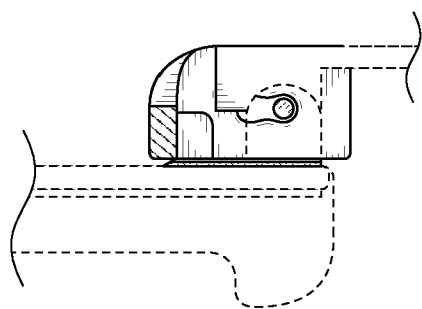


FIG. 8

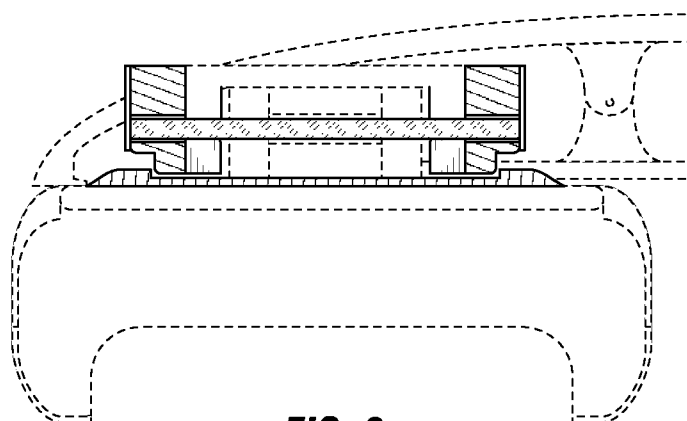


FIG. 9

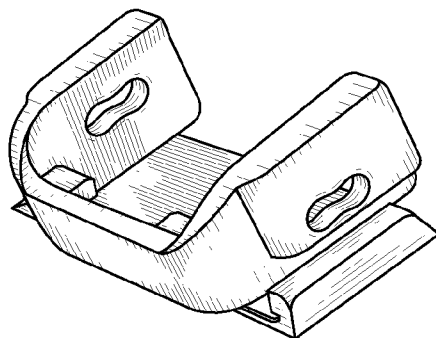


FIG. 10



FIG. 11



FIG. 12

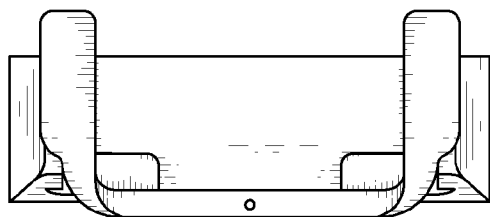


FIG. 13

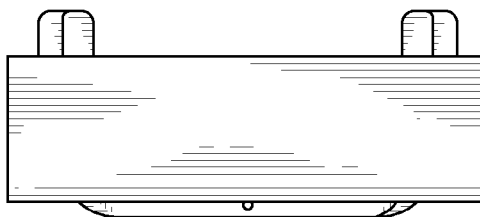


FIG. 14

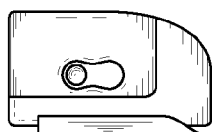


FIG. 15

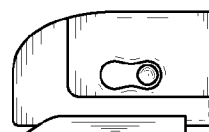


FIG. 16