



US00D640908S

(12) **United States Design Patent**  
**Underhile**

(10) **Patent No.:** **US D640,908 S**  
(45) **Date of Patent:** **\*\* Jul. 5, 2011**

- (54) **BLADE**
  - (76) Inventor: **Frank D Underhile**, Houston, TX (US)
  - (\*\*) Term: **14 Years**
  - (21) Appl. No.: **29/366,029**
  - (22) Filed: **Jul. 19, 2010**
  - (51) **LOC (9) Cl.** ..... **08-03**
  - (52) **U.S. Cl.** ..... **D8/20**
  - (58) **Field of Classification Search** ..... D8/16,  
D8/18-20, 64, 95-104; D22/117, 118; D24/146;  
7/118, 148; 30/142, 144, 165, 166.3, 272.1,  
30/314, 320, 346, 346.5, 346.55, 346.56,  
30/349, 351, 355-357
- See application file for complete search history.

D242,980 S	1/1977	Fuller	
D261,723 S *	11/1981	Haller	D8/16
D262,431 S *	12/1981	Haller	D8/16
4,348,807 A	9/1982	Ashdown	
4,483,068 A	11/1984	Clifford	
4,574,431 A	3/1986	Colling	
4,630,367 A	12/1986	Pressman	
D300,715 S	4/1989	Ragoonath	
4,916,816 A	4/1990	Richman	
4,920,645 A	5/1990	Baudouin	
5,103,564 A	4/1992	MacDonald	
5,107,593 A	4/1992	Hutchins	
D355,345 S	2/1995	Drust	
D358,643 S *	5/1995	Knepshield et al.	D24/146
5,579,581 A	12/1996	Melton	
5,581,834 A	12/1996	Collins	
5,720,105 A	2/1998	Gates	
D400,067 S *	10/1998	Gold	D8/20
D400,412 S	11/1998	Gold	

(Continued)

(56) **References Cited**

U.S. PATENT DOCUMENTS

432,770 A	7/1890	Schlieff	
D54,277 S *	12/1919	Michaels	D7/695
1,345,637 A	7/1920	Sarkozy	
1,423,843 A	7/1922	Eshelman	
1,608,813 A	11/1926	Richter	
1,636,287 A	7/1927	Clawson	
1,667,596 A	4/1928	Kapota	
2,046,334 A	7/1936	Loeber	
2,054,480 A	9/1936	Leitshuh	
2,083,368 A	6/1937	Gambino	
2,173,751 A	9/1939	Burkhart	
2,182,710 A	12/1939	Tamke	
2,232,940 A	2/1940	Fender	
2,322,744 A	6/1943	Benjamin	
2,362,896 A	11/1944	Gamache	
2,961,766 A	11/1960	Maynard	
3,009,245 A	11/1961	Senkewitz	
3,169,316 A	2/1965	Johnston	
3,299,510 A	1/1967	Taormina	
3,465,437 A	9/1969	Brown	
3,889,368 A	6/1975	Himeno	
3,956,825 A	5/1976	Ness	

Primary Examiner — Garth Rademaker

(74) *Attorney, Agent, or Firm* — Buche & Associates, P.C.;  
John K. Buche

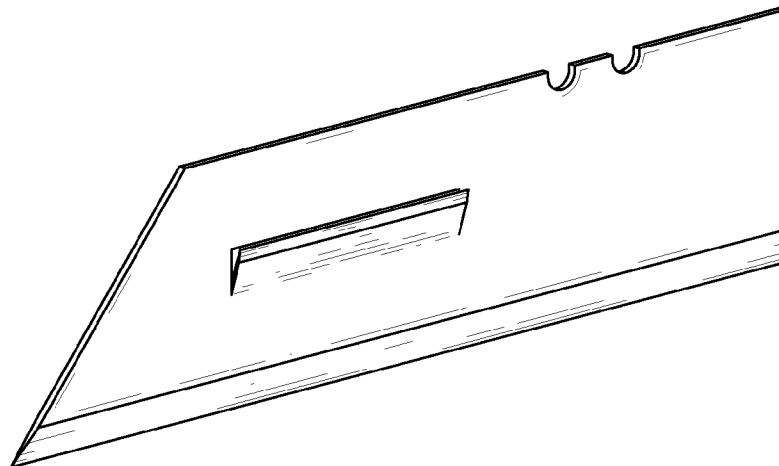
(57) **CLAIM**

The ornamental design for a blade, as shown and described.

**DESCRIPTION**

FIG. 1 is a perspective view of a blade showing my new design;  
 FIG. 2 is a left side view of the same;  
 FIG. 3 is a right side view of the same;  
 FIG. 4 is a top view of the same;  
 FIG. 5 is a bottom view of the same;  
 FIG. 6 is a back view of the same;  
 FIG. 7 is a front view of the same; and,  
 FIG. 8 is a perspective view of the same, showing the design in an environment of use, wherein the environment is shown in broken line and forms no part of the claimed design.

**1 Claim, 2 Drawing Sheets**



# US D640,908 S

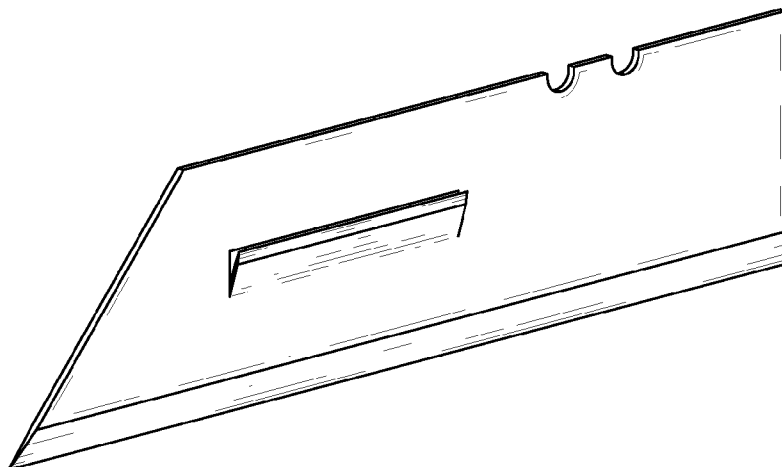
Page 2

---

## U.S. PATENT DOCUMENTS

5,875,551 A	3/1999	Huang		7,127,820 B2	10/2006	Miller
D414,385 S *	9/1999	Adkins	..... D7/695	7,194,809 B2	3/2007	Skruzak
D422,185 S *	4/2000	Gold	..... D8/20	D558,540 S	1/2008	White
6,148,522 A	11/2000	Dobandi		7,421,787 B2	9/2008	White
6,336,271 B1	1/2002	Rider		7,681,317 B2	3/2010	Fagan
6,510,611 B2	1/2003	Edwards		2003/0070298 A1	4/2003	Ruiz
6,823,593 B2	11/2004	Dunn-Rankin		2004/0216307 A1	11/2004	Bitonto
6,874,236 B2	4/2005	Levien		2007/0119058 A1	5/2007	Ho
6,895,674 B2	5/2005	Ai		2009/0199414 A1	8/2009	Ramos
7,065,882 B2	6/2006	Haberstroh				

\* cited by examiner



**FIG. 1**



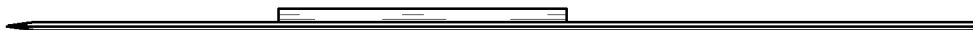
**FIG. 2**



**FIG. 3**



**FIG. 4**



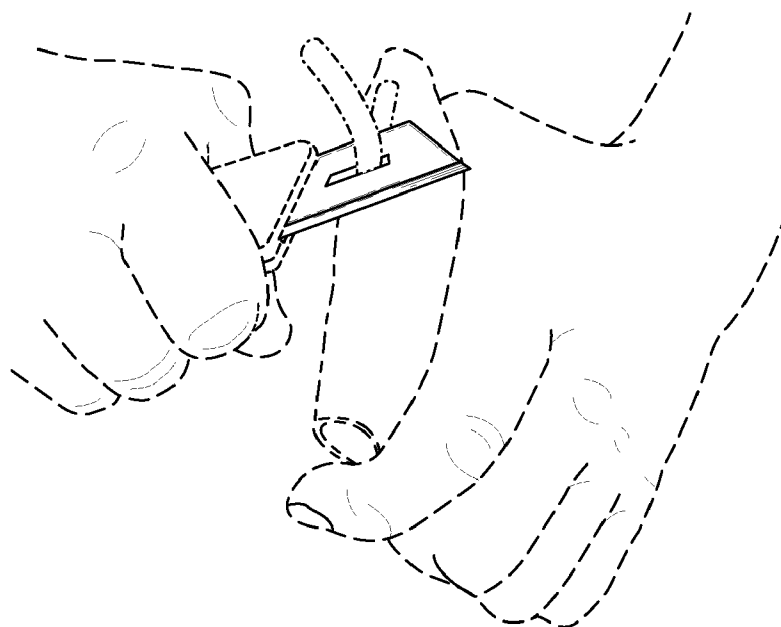
**FIG. 5**



**FIG. 6**



**FIG. 7**



**FIG. 8**