



US00D652836S

(12) **United States Design Patent**
Voorhees

(10) **Patent No.:** **US D652,836 S**
(45) **Date of Patent:** **** Jan. 24, 2012**

(54) **RELOCATABLE SUPPORT SURFACE FOR A MEDIA PLAYER**

(76) Inventor: **Jeffrey C. Voorhees**, Burbank, CA (US)

(**) Term: **14 Years**

(21) Appl. No.: **29/367,669**

(22) Filed: **Aug. 11, 2010**

(51) **LOC (9) Cl.** **14-02**

(52) **U.S. Cl.** **D14/447; D14/238.1**

(58) **Field of Classification Search** D14/447,
D14/448, 451, 452, 432, 434, 439, 440, 457,
D14/460, 461, 239, 250, 251, 253, 217, 238.1;
D3/218; D6/310, 312, 311, 406.3, 406.4,
D6/406.5, 406.6, 419; 248/917-924, 688,
248/441.1, 451, 454, 460, 463, 136, 149,
248/150, 164, 166, 176.2, 176.3, 176.1, 346.03,
248/346.3; 361/679.02, 679.09, 679.21,
361/679.22, 379.26, 679.27, 679.28, 679.29,
361/679.3, 679.46, 679.47, 679.48, 679.55,
361/679.56, 679.57, 679.58, 679.59, 679.6;
150/165; 224/929, 930

See application file for complete search history.

(56) **References Cited**

U.S. PATENT DOCUMENTS

D462,711 S *	9/2002	Arsala	D17/22
D475,057 S *	5/2003	Lord	D14/447
D554,135 S *	10/2007	Lim et al.	D14/447
D558,771 S *	1/2008	Derry et al.	D14/447
D560,068 S *	1/2008	Dixon	D3/218
D576,168 S *	9/2008	Ostroff	D14/447
D619,559 S *	7/2010	Voorhees	D14/203.6
D626,129 S *	10/2010	Lutz	D14/447

D630,222 S *	1/2011	Lin	D14/447
D634,315 S *	3/2011	Nousiainen	D14/253
D637,593 S *	5/2011	Zanetti	D14/253
D641,610 S *	7/2011	Sedalo	D8/354
2010/0294908 A1 *	11/2010	Mish et al.	248/451

* cited by examiner

Primary Examiner — Angela J Lee

(57) **CLAIM**

The ornamental design for a relocatable support surface for a media player, as shown and described.

DESCRIPTION

FIG. 1 is a perspective view of a relocatable support surface for a media player (including, but not limited to, laptop and tablet computers, e.g., the iPad (trademark of Apple, Inc.).

FIG. 2 is a front elevation view of the relocatable support surface for a media player of FIG. 1.

FIG. 3 is a back elevation view of the relocatable support surface for a media player of FIG. 1.

FIG. 4 is a top plan view of the relocatable support surface for a media player of FIG. 1.

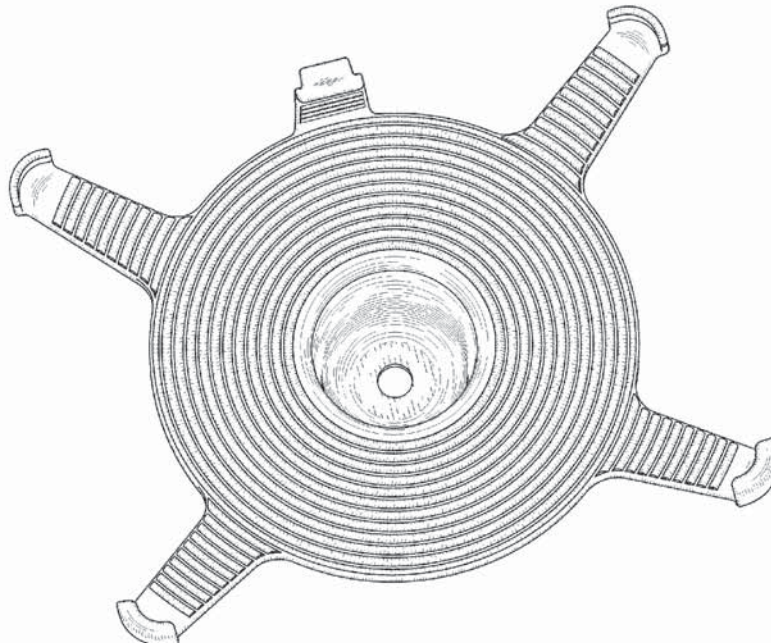
FIG. 5 is a bottom plan view of the relocatable support surface for a media player of FIG. 1.

FIG. 6 is a right side elevation view of the relocatable support surface for a media player of FIG. 1.

FIG. 7 is a left side elevation view of the relocatable support surface for a media player of FIG. 1; and,

FIG. 8 is an environmental view of the relocatable support surface for a media player of FIG. 1.

1 Claim, 4 Drawing Sheets



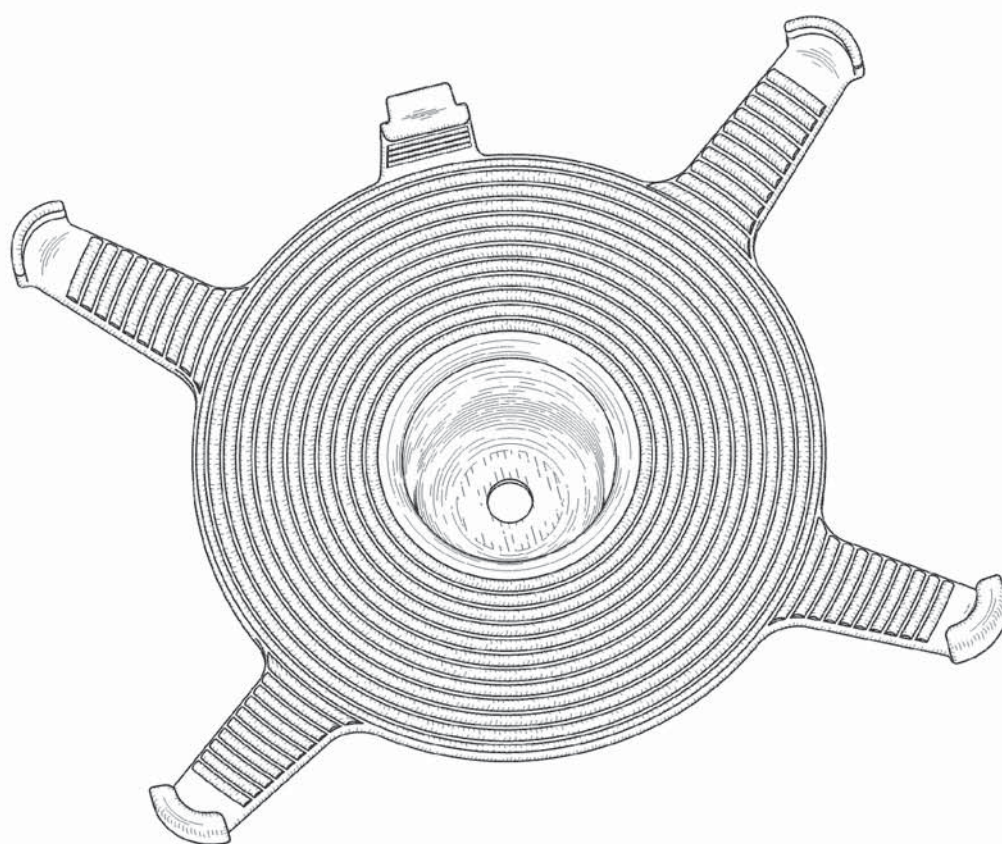


FIG. 1

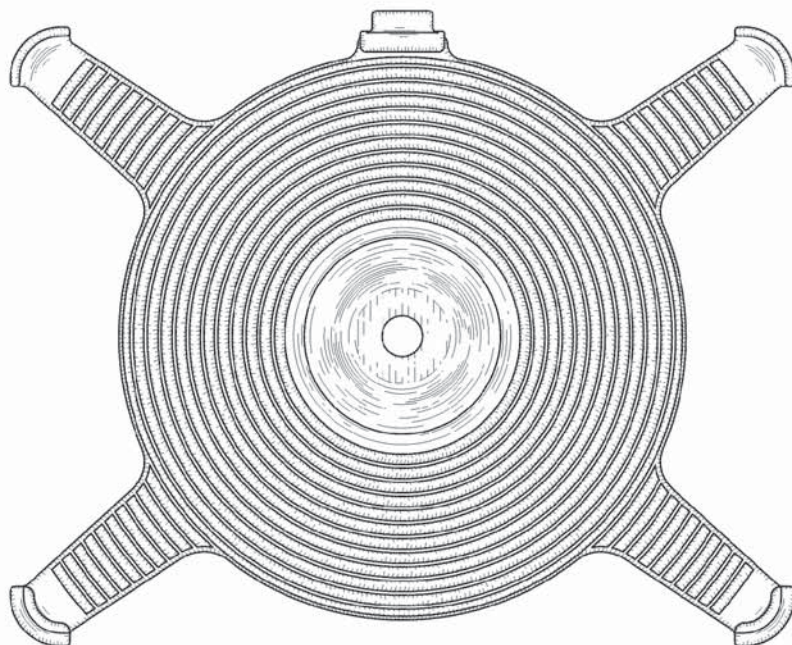


FIG. 2

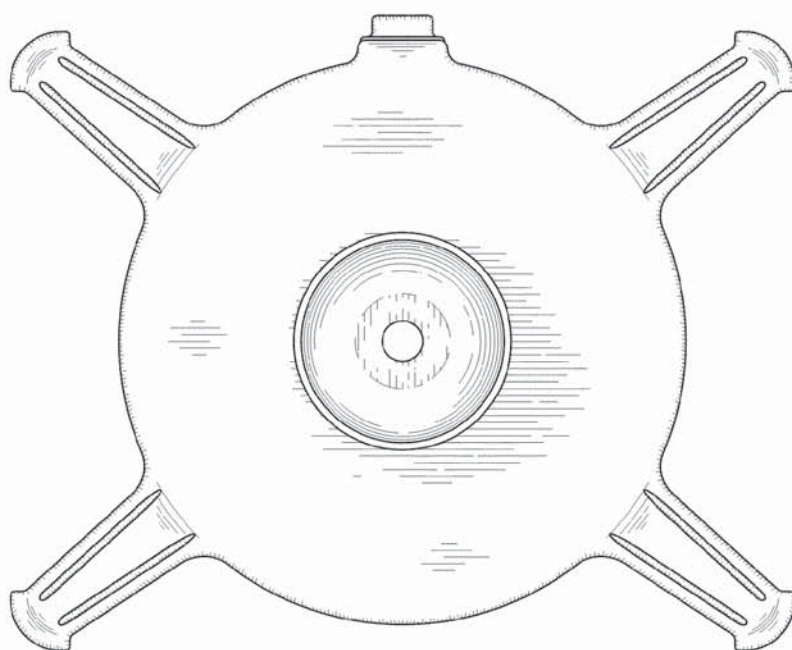


FIG. 3

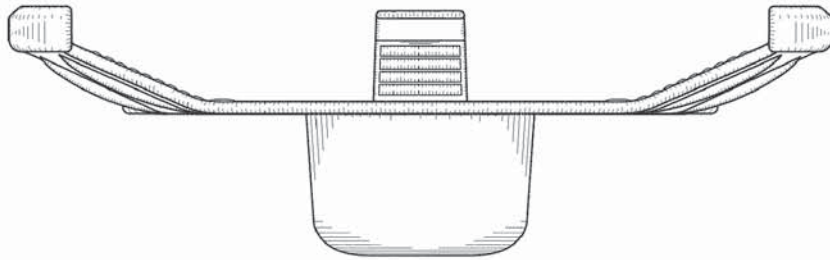


FIG. 4

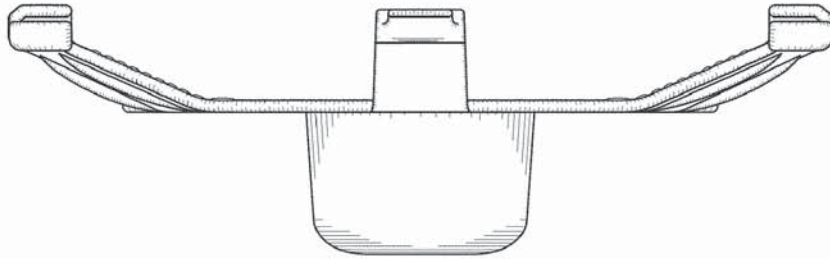


FIG. 5



FIG. 6

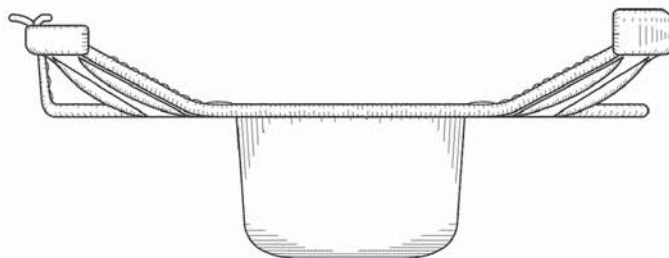


FIG. 7

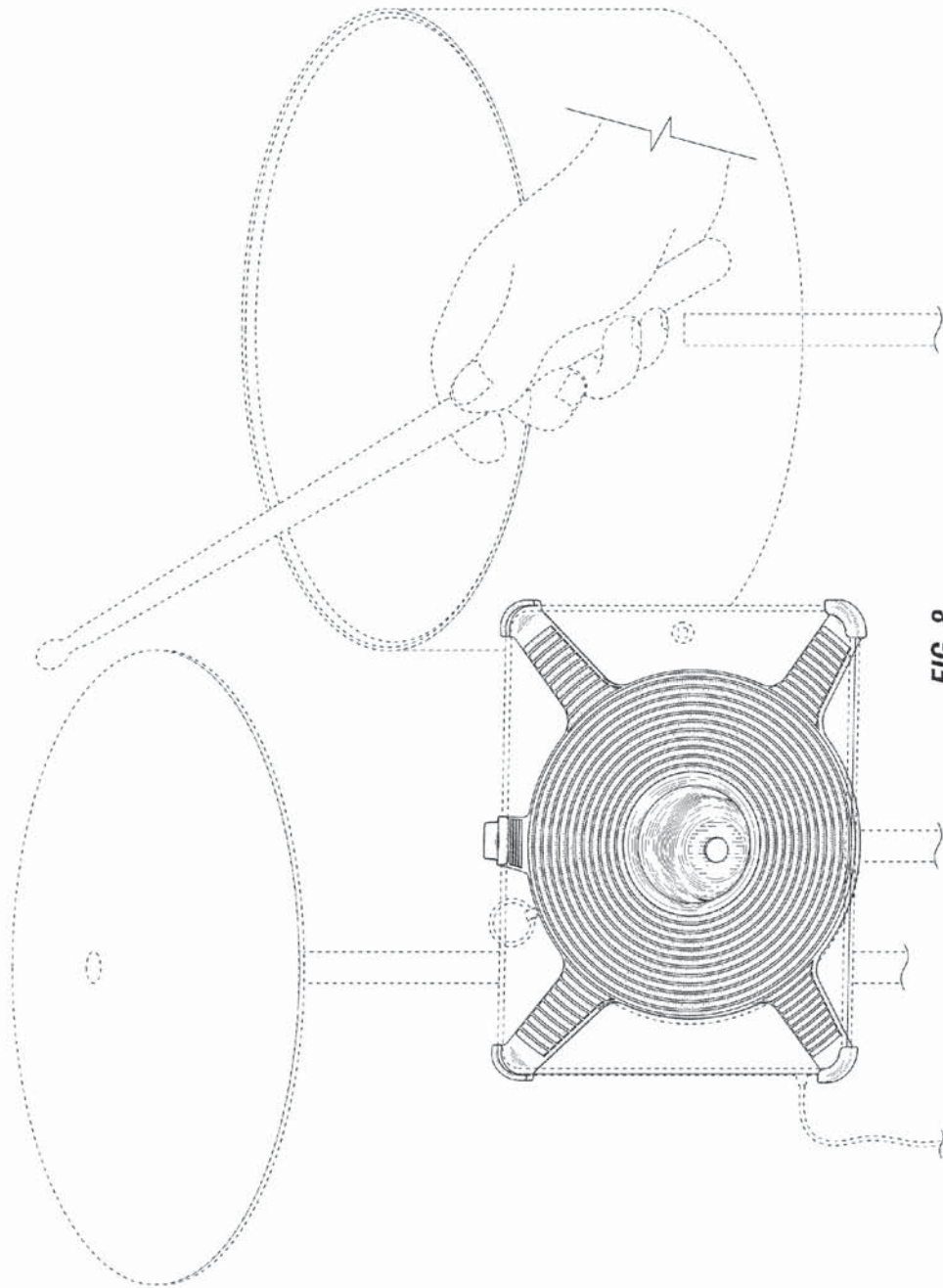


FIG. 8