



US008109680B2

(12) **United States Patent**
Olien

(10) **Patent No.:** **US 8,109,680 B2**
(45) **Date of Patent:** **Feb. 7, 2012**

(54) **MOUNTING DEVICE, SYSTEM AND METHOD**

(76) Inventor: **Michael A Olien**, Tomball, TX (US)
(*) Notice: Subject to any disclaimer, the term of this patent is extended or adjusted under 35 U.S.C. 154(b) by 0 days.

(21) Appl. No.: **12/711,615**

(22) Filed: **Feb. 24, 2010**

(65) **Prior Publication Data**
US 2010/0215355 A1 Aug. 26, 2010

Related U.S. Application Data
(60) Provisional application No. 61/154,894, filed on Feb. 24, 2009.

(51) **Int. Cl.**
G03B 17/00 (2006.01)
(52) **U.S. Cl.** **396/428**
(58) **Field of Classification Search** 396/427-428
See application file for complete search history.

(56) **References Cited**

U.S. PATENT DOCUMENTS

6,293,676	B1 *	9/2001	Holway	352/243
6,449,431	B1 *	9/2002	Cuddeback et al.	396/27
6,623,182	B2	9/2003	Tatera	
6,679,467	B1 *	1/2004	Softness	248/278.1
7,149,422	B2 *	12/2006	Schnell	396/153
2003/0133708	A1	7/2003	Tatera	
2007/0034764	A1 *	2/2007	Dittmer et al.	248/324
2008/0107413	A1 *	5/2008	Moore et al.	396/428
2008/0236858	A1 *	10/2008	Quijano	174/50
2009/0010637	A1 *	1/2009	DeWitt	396/428
2009/0129769	A1	5/2009	Broberg	

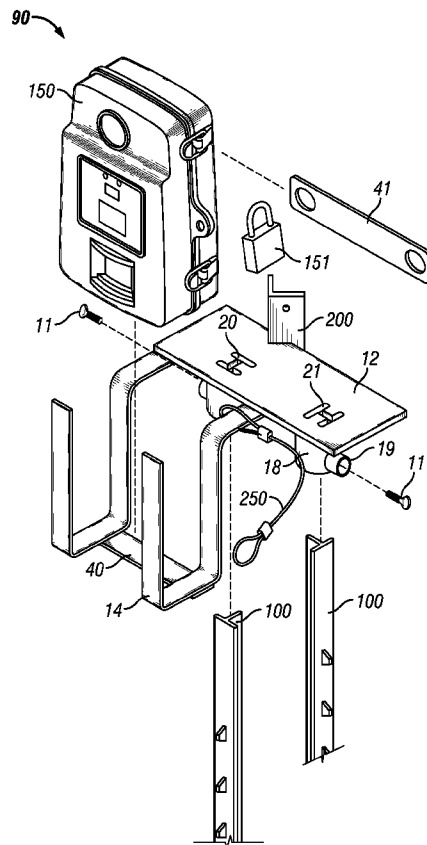
* cited by examiner

Primary Examiner — Clayton E Laballe
Assistant Examiner — Dennis Hancock
(74) *Attorney, Agent, or Firm* — John K. Buche; Buche & Associates, P.C.

(57) **ABSTRACT**

The present application is directed to a device for securing an object to a mountable surface. The device is configured to face the object secured thereto in any direction up to 360 degrees about the mountable surface. The device comprises a mating surface securable to the mountable surface via a tamper proof locking means and a support attached to the mating surface that is operationally configured to secure the object thereto.

10 Claims, 10 Drawing Sheets



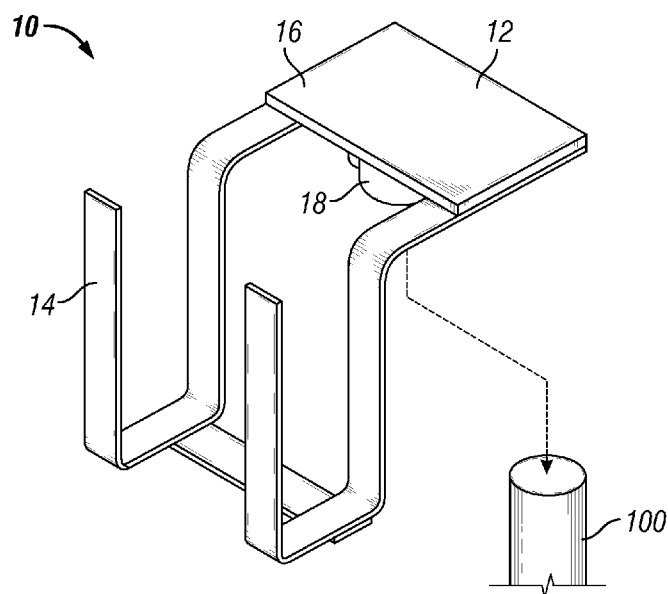


FIG. 1

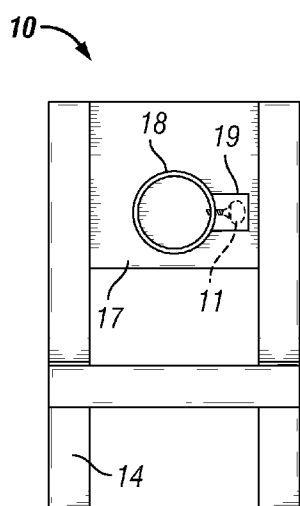


FIG. 2A

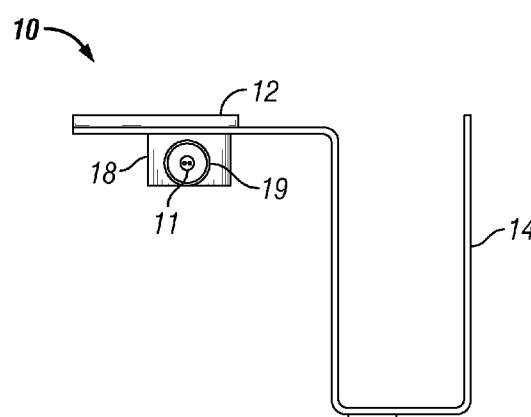


FIG. 2B

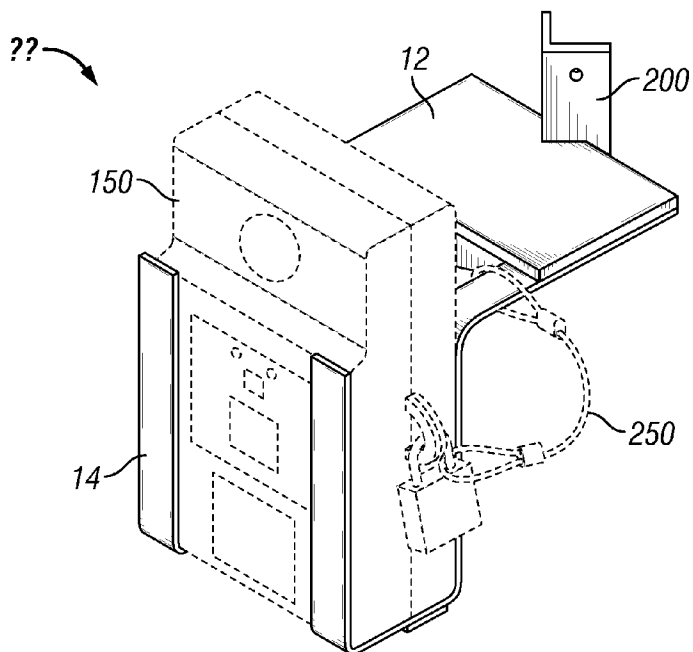


FIG. 3

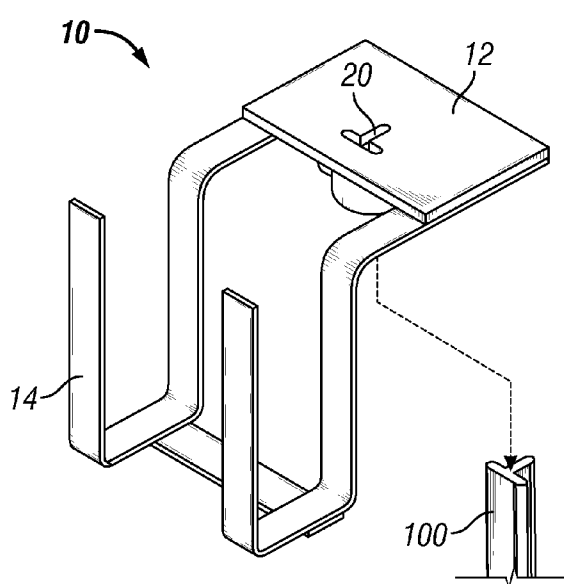


FIG. 4A

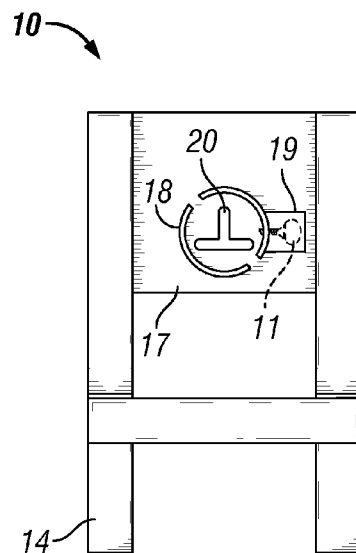


FIG. 4B

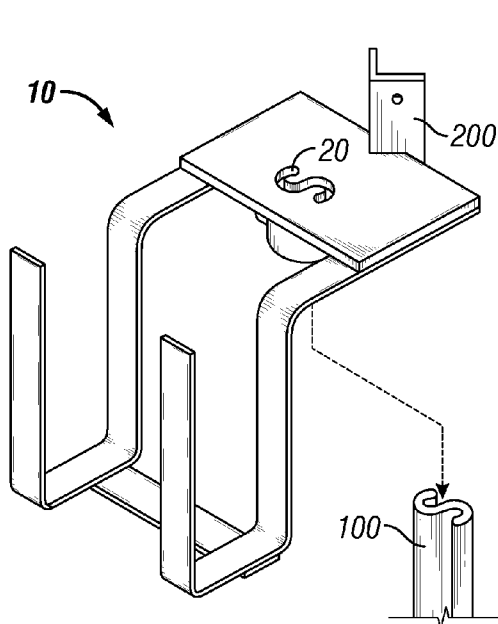


FIG. 5A

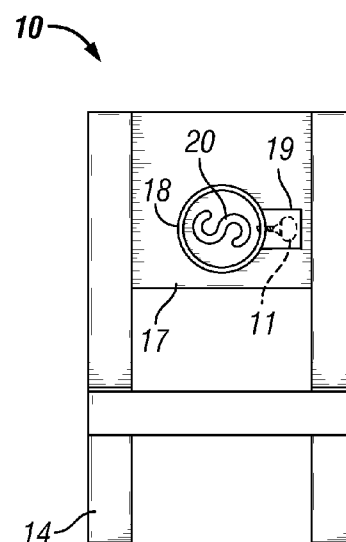


FIG. 5B

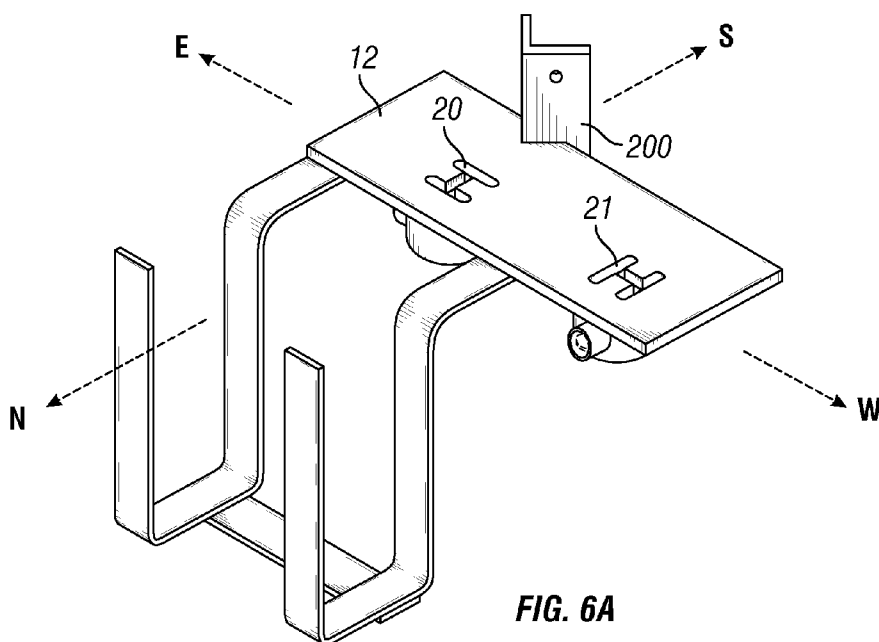


FIG. 6A

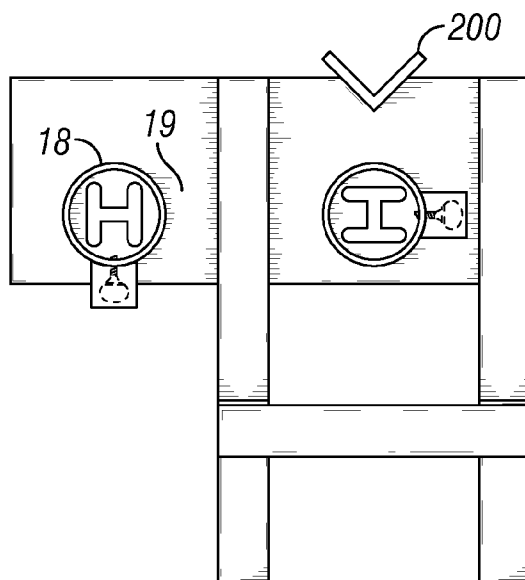


FIG. 6B

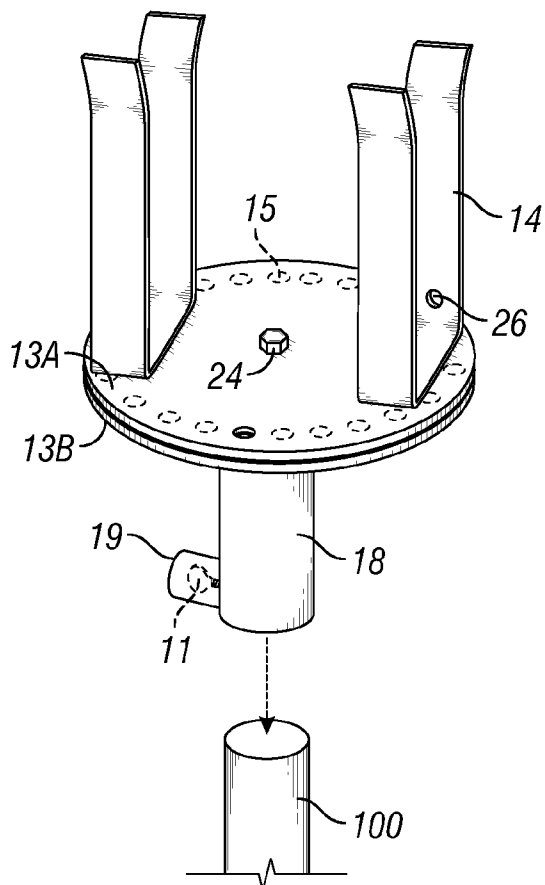


FIG. 7A

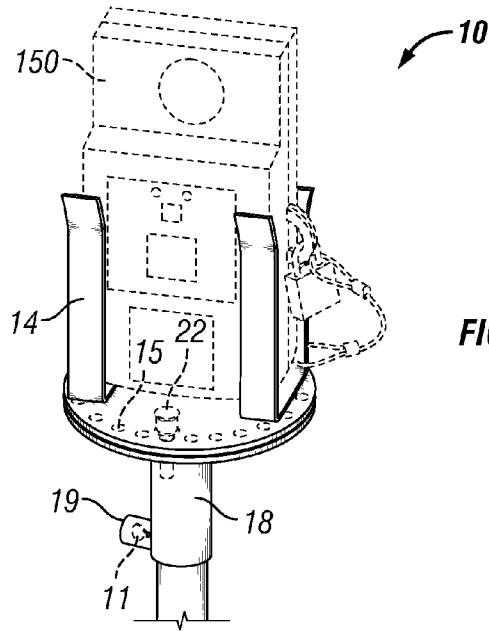


FIG. 7B

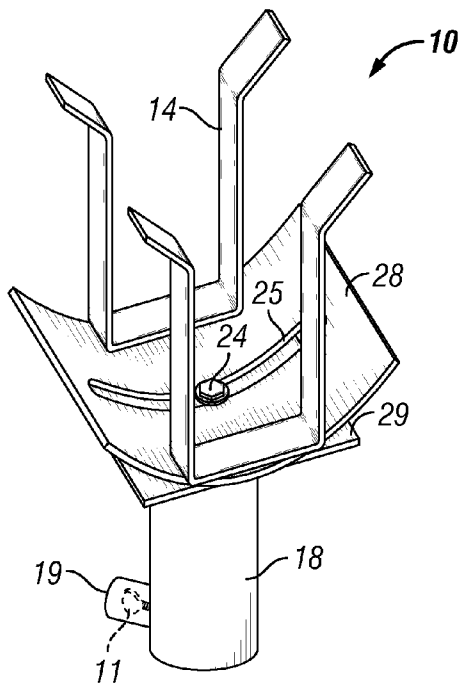


FIG. 8A

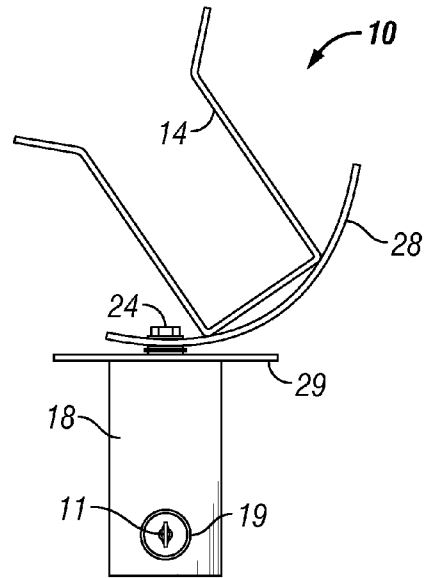


FIG. 8B

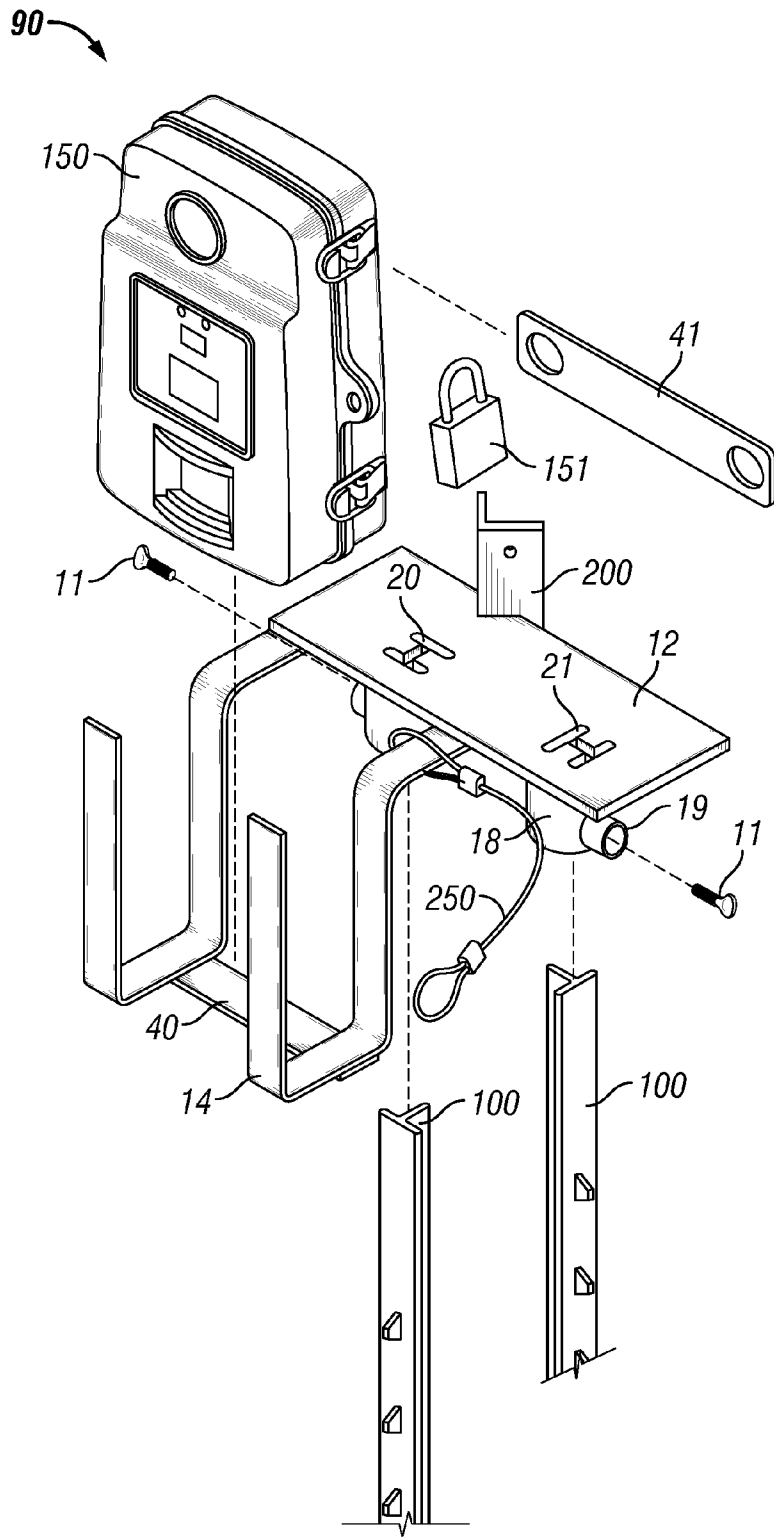


FIG. 9A

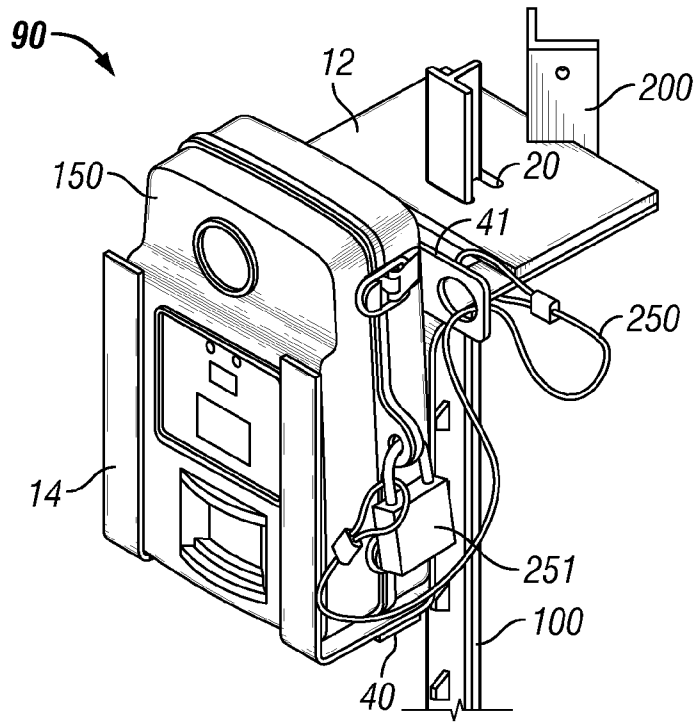


FIG. 9B

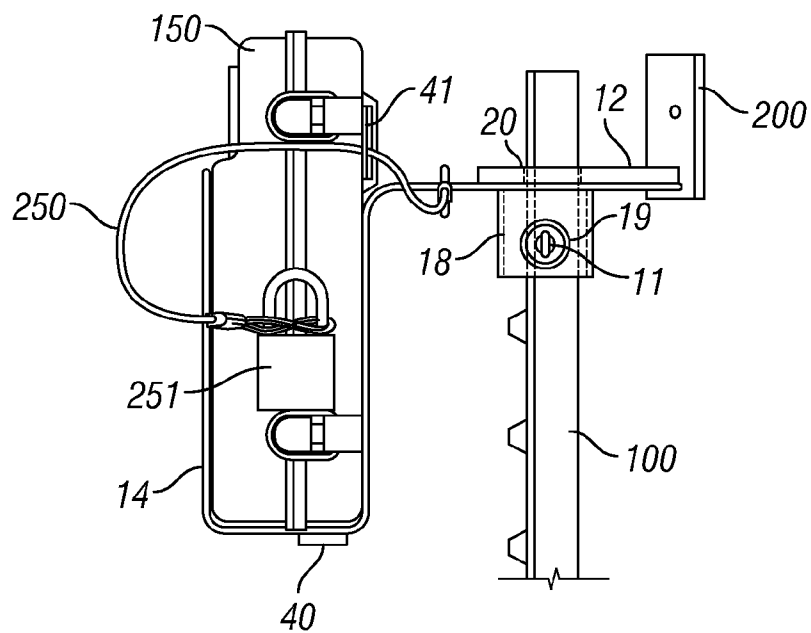


FIG. 9C

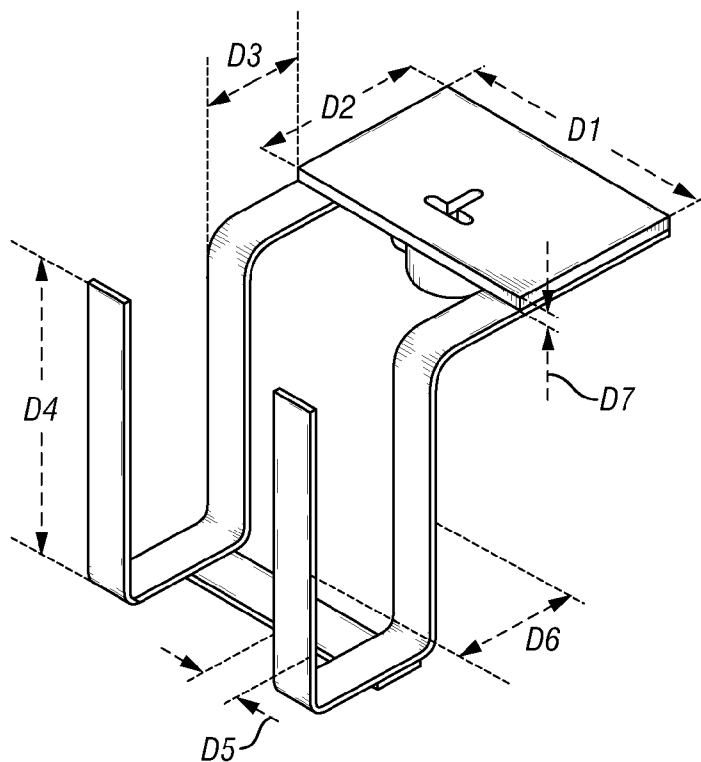


FIG. 10

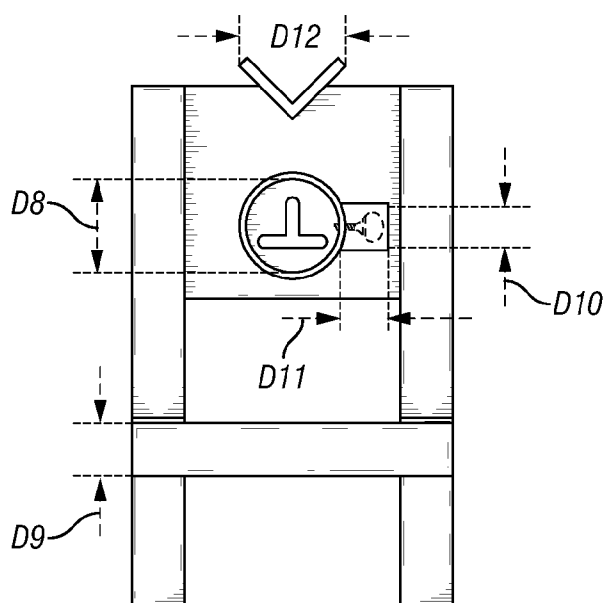
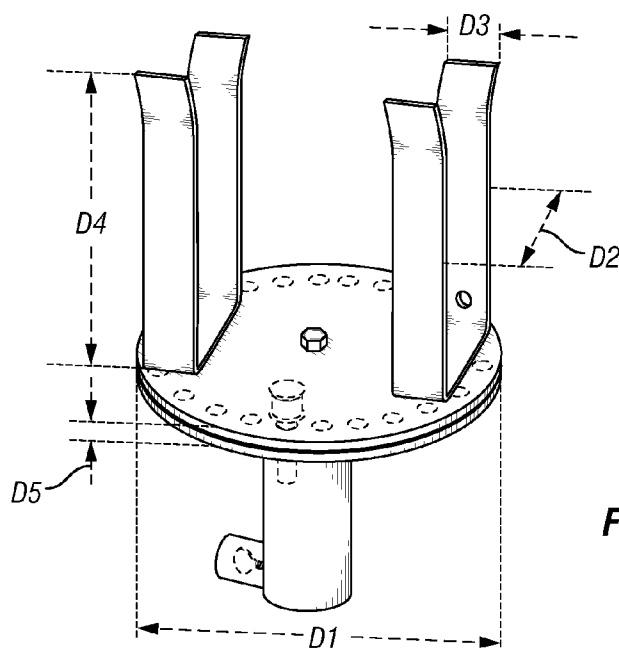
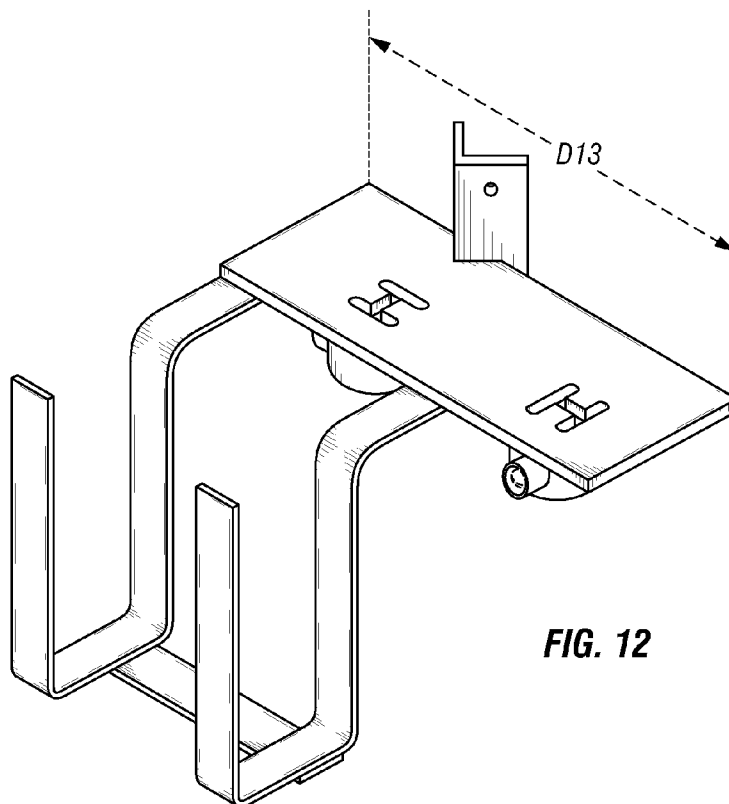


FIG. 11



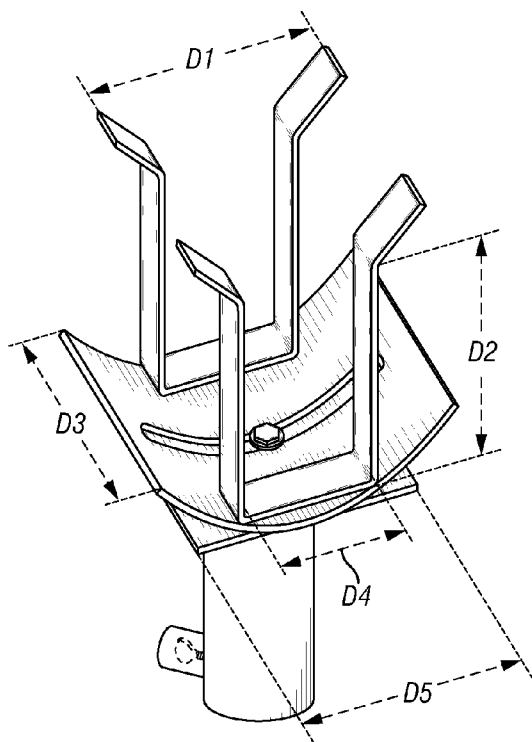


FIG. 14

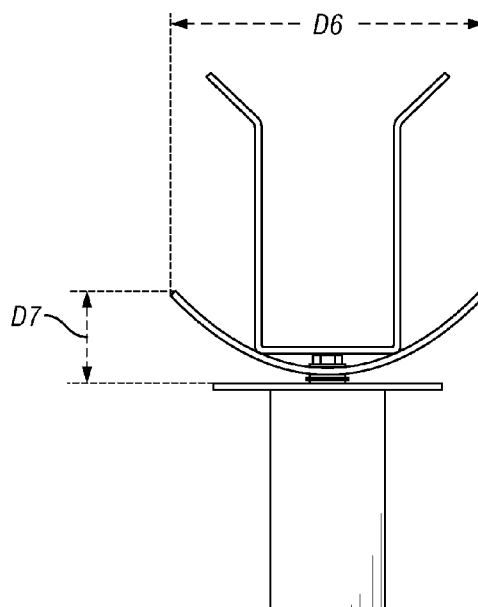


FIG. 15

1

MOUNTING DEVICE, SYSTEM AND METHOD**CROSS-REFERENCE TO RELATED APPLICATIONS**

This application claims the benefit of U.S. provisional patent application No. 61/154,894, filed on Feb. 24, 2009.

STATEMENT REGARDING FEDERALLY SPONSORED RESEARCH OR DEVELOPMENT

Not applicable.

FIELD OF THE APPLICATION

The application relates generally to a device for mounting objects to mounting surfaces.

BACKGROUND

Items such as electronic surveillance equipment and the like are often positioned in strategic or remote locations and thereafter left unattended. Unless the equipment is securely fixed to a particular surface or other article, the equipment is subject to theft or damage by persons or wildlife. For example, game or hunting type cameras are typically attached to trees or posts via straps or common screw type devices making trail hunting cameras susceptible to unwanted removal by persons or wildlife.

A need exists for protecting against the unwanted removal of such devices.

SUMMARY

The present application is directed to a device for securing an object to a mountable surface. The device is configured to face the object secured thereto in any direction up to 360 degrees about the mountable surface. The device comprises a mating surface securable to the mountable surface via a tamper proof locking means and a support attached to the mating surface that is operationally configured to secure the object thereto.

The present application is also directed to a device for securing a trail camera to a male type mating surface. The device comprises a tamper proof female type mating surface and a means for supporting the trail camera in a desired orientation up to about 360 degrees about the mountable surface.

The present application is also directed to a system for securing an object to a mountable surface. The system comprises (a) a post, (b) a mounting device operationally configured to (1) mate with the post and (2) support the object in a desired orientation in any direction up to 360 degrees about the post; and (c) a means for tethering the object to the mounting device.

The present application is also directed to a method for securing an object to a pre-existing fence post. The method comprises the steps of: (a) providing a device having a tamper proof female type mating surface for mating to the post, a means for supporting the trail camera in a desired orientation up to about 360 degrees about the mountable surface, and a means for tethering the object to said device; (b) identifying a desirable fence post; (c) slipping the device over the top of the post; (d) applying a biasing means to secure the female type

2

mating surface of the device to said post; (e) locking the object to the device via said tethering means.

BRIEF DESCRIPTION OF THE FIGURES

FIG. 1 is a perspective environmental view of an embodiment of the mounting device of this application.

FIG. 2A is a bottom view of an embodiment of the mounting device.

FIG. 2B is a right side view of an embodiment of the mounting device.

FIG. 3 is a perspective view of an embodiment of the mounting device including a phantom view of a trail camera secured thereto.

FIG. 4A is a perspective environmental view of an embodiment of the mounting device operationally configured to secure to a T-post.

FIG. 4B is a bottom view of an embodiment of the mounting device operationally configured to secure to a T-post.

FIG. 5A is a perspective environmental view of an embodiment of the mounting device operationally configured to secure to an S shaped post.

FIG. 5B is a bottom view of an embodiment of the mounting device operationally configured to secure to an S shaped post.

FIG. 6A is a perspective view of another embodiment of the mounting device having two apertures for receiving a male type mating surface including a T-post.

FIG. 6B is a bottom view of the embodiment of the mounting device of FIG. 6A.

FIG. 7A is a perspective environmental view of another embodiment of the mounting device operationally configured to rotate about a post type support surface up to 360 degrees.

FIG. 7B is a perspective view of the embodiment of FIG. 7A including a phantom view of a trail camera secured thereto.

FIG. 8A is another embodiment of the mounting device including a tilting means and rotating means.

FIG. 8B is a side view of the embodiment of FIG. 8A.

FIG. 9A is an exploded view of a system for securing a trail camera including an embodiment of a mounting device of this application.

FIG. 9B is a perspective view of the system of FIG. 9A including a trail camera secured to the mounting device.

FIG. 9C is a side view of the embodiment of FIG. 9B.

FIG. 10 is a perspective view of an embodiment of the mounting device.

FIG. 11 is a bottom view of the embodiment of FIG. 10.

FIG. 12 is a perspective view of an embodiment of the mounting device having two apertures for receiving a male type mating surface including a T-post.

FIG. 13 is a perspective view of an embodiment of the mounting device including a means for rotating the cradle attached thereto up to 360 degrees.

FIG. 14 is a perspective view of an embodiment of the mounting device including a tilting means and rotating means.

FIG. 15 is a side view of the embodiment of FIG. 14.

BRIEF DESCRIPTION

It has been discovered that electronic surveillance equipment, trail cameras and other items may be left in remote or otherwise unattended locations by securing such equipment to posts including T-posts using the present mounting devices. In addition, the present mounting devices are operationally configured to position or otherwise orient the equip-

ment as desired during use. Heretofore, such a desirable achievement has not been achieved in the manner of this invention. Accordingly, the devices, systems and methods of this application measure up to the dignity of patentability and therefore represent patentable concepts.

Before describing the invention in detail, it is to be understood that the present system and method are not limited to particular embodiments. It is also to be understood that the terminology used herein is for the purpose of describing particular embodiments only, and is not intended to be limiting. As used in this specification and the appended claims, the phrase "electronic surveillance equipment" includes, but is not necessarily limited to cameras, video recordable technology, audio recordable technology, light sources, laser surveillance systems, and infrared illuminators. The phrase "trail camera" herein refers to hunting or game surveillance cameras having weather-resistant, airtight camera housings. Examples of commercial sources for trail cameras include: Bushnell Corporation, Overland Park, Kans., USA; Non Typical, Inc., Green Bay, Wis., USA; Stealth Cam, LLC, Grand Prairie, Tex.; and Predator Trail Cams, Saxon, Wis., USA.

In one aspect, the application provides a mounting device usable with an arced post. In another aspect, the mounting device is usable with a non-arc'd post.

In another aspect, the application provides a mounting device usable with a T-post, the T-post pre-existing at a particular location for an unrelated purpose or provided with the mounting device at the time of installation of the device.

In another aspect, the application provides a mounting device usable with an arced post, the post pre-existing at a particular location for an unrelated purpose or provided with the mounting device at the time of installation of the device.

In another aspect, the application provides a mounting device including a tamper proof means for securing the mounting device to a target post.

In another aspect, the application provides a mounting device securable to a target post, wherein at least part of the device being pivotable about the target post.

In another aspect, the application provides a mounting device operationally configured to tilt an item secured thereto up to about 180 degrees about its mounting surface.

In another aspect, the application provides a mounting device securable to a target post, wherein at least part of the device is rotatable about the target post.

In another aspect, the application provides a mounting device operationally configured to rotate an item secured thereto up to 360 degrees about a target post.

In another aspect, the application provides a mounting device operationally configured to be oriented about a target post up to 360 degrees.

In another aspect, the application provides a mounting device operationally configured to orient an object secured thereto about a target post up to 360 degrees.

In another aspect, the application provides a mounting device operationally configured to be releasably secured to arced and non-arc'd posts.

In another aspect, the application provides a mounting system comprising a post having a particular surface configuration and a mounting device having a surface configuration operationally configured for releasable securement of the mounting device with the post.

In another aspect, the application provides a mounting device comprising a mating surface for mating to an end of a post.

In another aspect, the application provides a mounting device operationally configured to secure a trail scouting camera to a post, including a T-post.

In another aspect, the application provides a mounting device including an aperture for mating with a target post, the aperture comprising a shape substantially similar to the surface configuration of the target post.

In another aspect, the application provides a system for mounting an object to a target post, the system including a means for locking the object to a mounting device, and a means for securing the mounting device to the target post.

In another aspect, the application provides a mounting device including a basket-type member for receiving a trail camera.

In another aspect, the application provides a mounting device including an "H" shaped aperture therethrough, the aperture being operationally configured to receive a T-post.

In another aspect, the application provides a mounting device including a "T" shaped aperture therethrough, the aperture being operationally configured to receive a T-post.

In another aspect, the application provides a mounting device including an "I" shaped aperture therethrough, the aperture being operationally configured to receive a T-post.

In another aspect, the application provides a mounting device including a means for tethering an object to the mounting device.

In another aspect, the application provides a mounting device including a tree mounting surface.

In another aspect, the application provides a mounting device including a biasing fastener for securing the device to a surface.

In another aspect, the application provides a slip-over mounting device that may be simply placed onto an end of a post, such as a fence post.

In another aspect, the application provides a device for hanging a trail camera from a post, pole or the like.

In another aspect, the application provides a means for tilting and maintaining a trail camera in a particular direction.

In another aspect, the application provides a mounting device that may be welded to a mounting surface.

In another aspect, the application provides a device with an aperture therethrough, the inner dimensions of the aperture being substantially similar to the outer dimensions of a static structure to be directed through the aperture.

In another aspect, the application provides a system for detecting motion in an unmanned location or environment, the system including: (1) a post or pole, (2) a mounting device operationally configured to mate with post, and (3) a camera securable to the mounting device.

In another aspect, the application provides a system for detecting motion in an unmanned location or environment, the system including: (1) a post or pole, (2) a mounting device operationally configured to mate with post, the mounting device being securable to the post, (3) a camera supported by the mounting device, and (4) a cable and padlock for securing the camera to the mounting device.

DISCUSSION OF THE DEVICES, SYSTEMS AND METHODS

In one simplified embodiment, the invention provides a device for securing objects like trail cameras to mountable surfaces. Suitably, the device may include: a (1) mating surface, and (2) a support attached thereto. The mating surface of the device is securable to a mountable surface via a tamper proof locking means. The support is operationally configured to secure the intended object thereto.

To better understand the novelty of the devices, systems, and methods of use thereof, reference is hereafter made to the accompanying drawings. With reference to FIG. 1, an exemplary mounting device **10** securable to a mountable surface **100** is provided. For simplicity, the mountable surface **100** will be described throughout in terms of a post extending above grade, although other similar shaped surfaces may be employed. Suitable mountable surface **100** include static structures and transportable structures including, but not necessarily limited to fence posts, sign posts, tree branches, piping, rebar, coil rod and other male type mating surfaces.

In this embodiment, the mounting device **10** includes (1) a base **12** operationally configured to mate with a post **100** such as a fence post, and (2) a cradle **14** extending from the base **12**, the cradle **14** being operationally configured to receive and support an object thereto. Suitably, the base **12** includes a tamper proof locking means operationally configured to slip over onto the end of a post **100** and secure the mounting device **10** to the post **100**. The cradle **14** suitably lies adjacent the length of the post **100** and is operationally configured to secure the intended object thereto. For simplicity, the application will discuss the mounting device **10** in terms of receiving, supporting and securing a trail camera **150**, although the mounting device **10** may support other objects such as electronic surveillance equipment as discussed above.

In this embodiment, the base **12** is defined by a one piece member having a first surface **16** and a second surface **17**, the second surface **17** further including the tamper proof locking means of the invention. The tamper proof locking means is provided in the form of an assembly including a first receiver **18** extending from the second surface to form a female type mating surface for mating with a post **100**. In one embodiment, the receiver **18** may include a continuous wall type perimeter (see FIG. 2A). In another embodiment, the receiver **18** may include two or more sections forming a female type mating surface therein (see FIG. 4B).

In one embodiment, the receiver **18** may form an arced inner surface. In another embodiment, the inner surface of the receiver **18** may be multi-sided or take a non-standard form, e.g., star shaped, etc. Regardless of the inner surface configuration, a suitable receiver **18** is operationally configured to receive one or more shapes of posts **100** therein. Although the mounting device **10** may be built to scale, in embodiments designed to work in conjunction with fence posts such as T-posts, a suitable receiver **18** may range in length from about 3.0 inches to about 6.0 inches (7.62 cm to about 15.24 cm).

As shown in FIG. 1, the mounting device **10** may be rotated about the receiver **18** and oriented up to 360 degrees about the post **100** to face in a desired direction. In addition, a suitable receiver **18** is effective to maintain the mounting device **10** in a mated position during use. For example, the inner surface of the receiver **18** is shaped to form a snug fit with a corresponding post **100**. For example, where the intended mounting surface is a round fence post **100**, a suitable receiver **18** has a circular inner surface including an inner diameter substantially similar to the outer diameter of the post **100**. FIG. 2A is representative of a receiver **18** operationally configured to mate with a round post **100**—the inner diameter of the receiver **18** determining the maximum outer diameter of a corresponding post **100** received therein. The same is true when mating a rectangular receiver **18** with a rectangular post **100**. In addition, it is further contemplated that where the receiver **18** has two or more separate sections (FIG. 4B), a part of the mountable surface **100** may extend beyond the perimeter of the receiver **18** between two or more of the sections, e.g., a “+” shaped post **100** and a four-sectioned circular receiver **18**.

Suitably, the side wall of the receiver **18** includes an aperture there through for receiving a security fastener **11** that may be biased against the post **100** securing the mounting device **10** thereto. The security fastener **11** represents a biasing means aspect of the tamper proof locking assembly. Although not necessarily limited to a particular embodiment, a suitable security fastener **11** is defined by an article having a longitudinal axis and a mating head configured to receive a corresponding tool for tightening/loosening the security fastener **11**. For example, the security fastener **11** may include a bolt, pin, screw, or like device having a cavity head or other head configuration for receiving a particular tool. In a particularly advantageous embodiment, a specialized security fastener **11** may be employed requiring a particular tool to tighten/loosen the security fastener **11**. Suitable specialized security fasteners **11** include, but are not necessarily limited to tamper proof screws such as snake eyes spanner screws, Phillips head pin screws, torx pin head screws, tri-wing screws, triangular screws, hex socket drive screws, pan head screws, flat head screws, button head screws, and socket pin-head screws. In a particularly advantageous embodiment, the security fastener **11** includes a pan head hex pin requiring a hex bit tip with bit tip insert or hand driver to operate. Suitable specialized security fasteners **11** may be constructed from metals including for example brass, carbon steel, stainless steel, alloy steel.

During operation, the security fastener **11** may be directed through the receiver **18** aperture to a sunk position clear of the outer surface of the receiver **18**. As such, the outer edge or head of the security fastener **11** is surrounded by the side wall of the receiver restricting access to the security fastener **11** from the side. In the embodiment of FIGS. 2A and 2B, the receiver **18** may include a lock guard **19** surrounding the aperture and security fastener **11** located therein. In operation, the lock guard **19** is operationally configured to prevent unauthorized access to the security fastener **11**. As shown, the lock guard **19** suitably extends from the outer surface of the receiver **18** forming a barrier that prevents or limits access to a security fastener **11** from its side. Similar to the receiver, the lock guard **19** may include a continuous wall type perimeter or may include two or more sections effectively surrounding the aperture and security fastener **11** located therein. Although not necessarily limited to a particular configuration, the longitudinal axis of the lock guard **19** is substantially perpendicular to the longitudinal axis of the receiver **18**.

In absence of the lock guard **19**, the security fastener **11** (even a specialized security fastener) may be subject to manipulation from its side via commercially available tools or instruments, including but not necessarily limited to wrenches, pliers, screw drivers, hammers, chisels, files, pocket knives, and the like. Thus, the lock guard **19** is suitable for securing expensive items such as trail cameras where potential thieves and vandals are likely to stumble upon such items in forests and the like where such persons are less likely to be carrying specialized tools designed to work with a specialized security fastener **11**. Nor will the individual be able to use basic hand tools at his/her disposal to tamper with the security fastener **11** in light of the lock guard **19**. However, if no lock guard **19** is provided, using a specialized security fastener **11** is still effective to provide a certain degree of protection against unauthorized access.

An apposite cradle **14** is operationally configured to receive an object that has a substantially similar outer surface as the cradle's inner surface—forming a secure fit as desired. Thus, the present cradle **14** configuration may be altered depending on the object to be received and supported therein. It is also contemplated that the cradle **14** may be constructed

from bendable material(s) capable of being shaped to receive different objects as desired. Thus, an advantageous feature of the present mounting device **10** includes the ability to configure the cradle **14** to receive, support, and secure one or more particular objects thereto. For example, as new trail cameras become commercially available, a particular cradle **14** may be configured to receive and support one or more particular trail camera models or a particular brand of trail cameras.

FIG. **3** is illustrative of an embodiment of a mounting device **10** having a cradle **14** configured to support a trail camera **150** therein. A suitable cradle **14** is operationally configured to maintain a trail camera **150** in a desired orientation during use. As shown, the cradle **14** may comprise forked members operationally configured to support a trail camera **150** in a desired orientation by forming a receptacle type receiver for holding the trail camera **150** therein. In other receptacle type embodiments, the cradle **14** may include a basket type configuration or a bowl type configuration. The mounting device **10** may also include a backing bracket **200** suitable for bracing the mounting device **10** against trees, poles and other surfaces as desired. A suitable backing bracket **200** may be constructed from angle iron. Also, a tethering means **250** may be utilized to secure a trail camera **150** or other object to the mounting device **10** as desired. In a simplified embodiment, the tethering means **250** may include a cable or chain and a lock **251**, such as a padlock.

Other embodiments of the mounting device **10** may include a base **12** further comprising an aperture **20** there through, the aperture **20** being operationally configured to mate with a particular shaped post **100**. For example, a mounting device **10** for mating with a T-Post **100** suitably includes a “T” shaped aperture **20** there through—as depicted in FIGS. **4A** and **4B**. Here, the T-shaped aperture **20** may receive a particular length of the T-post **100** there through, which assists in stabilizing the mounting device **10** during use. In this simplified embodiment, the mounting device **10** is suitable for facing in a particular direction as determined by the orientation of the T-post **100** above grade. Thus, where a user is providing both the T-post **100** and the mounting device **10**, the user may orient the T-post **100** in a manner effective to intentionally face the mounting device **10** (and trail camera **150**) in a particular direction. If the mounting device **10** is to be used with a pre-existing T-post **100**, e.g., along a fence line, then use of the mounting device **10** is limited by the orientation of such T-post **100**.

In other embodiments, the aperture **20** may comprise an “H” shape or an “I” shape—each of which are also operationally configured to receive a T-post **100** there through. In still other embodiments, the aperture **20** may include a shape effective to receive a particular post **100** configuration there through. For example, the aperture **20** of FIG. **5** comprises an “S” shape effective to receive a corresponding “S” shaped post **100** there through. In another embodiment, the aperture **20** may be “U” shaped for receiving a “U” shaped post there-through.

Turning to FIG. **6A**, the base **12** may also be configured to include two or more apertures there through effective for increasing the optional orientations of the mounting device **10** atop one or more particular posts **100**. For example, a base **12** may comprise two “T” shaped apertures oriented either 90 degrees or 180 degrees relative to the other. In another embodiment, the base **12** may comprise two non-similar aperture shapes increasing the types of posts available for attachment. For example, a first aperture may be “T” shaped and a second aperture “S” shaped, “U” shaped, etc. Suitably, the

second aperture **21** includes a tamper proof locking assembly similar to the first aperture **20** (see FIG. **6B**).

In the embodiment of FIG. **6A**, the first aperture **20** comprises an “T” shape, and the second aperture **21** comprises an “H” shape (a 90 degree rotation of the “T” shaped first aperture **20**). Assuming a particular orientation of the T-post **100**, the first aperture **20** is effective for aligning the cradle **14** in either a north or south direction, whereas the second aperture **21** is effective for aligning the mounting device in either a east or west direction—360 degree orientation.

Another embodiment of the mounting device **10** providing for 360 degree alignment is depicted in FIGS. **7A** and **7B**. In similar fashion to embodiment described previously, the receiver **18** of the tamper proof locking assembly is operationally configured to slip onto the end of a post **100** where after the mounting device **10** may be secured to the post **100** via the security fastener **11** of the tamper proof locking assembly.

In this particular embodiment, the base **12** is disposed between the cradle **14** and the receiver **18** whereby the cradle **14** rests at a point beyond the edge of the post **100** during operation. Here, the base **12** acts as a support surface for the cradle **14**. Suitably, the base **12** includes two planar members **13A** and **13B**, the first planar member **13A** being rotatable about the second planar member **13B** according to the center axis member **24** to orient the cradle **14** in any direction up to 360 degrees about the post **100**. Suitably, the planar members **13A**, **13B** comprise alignment holes **15** wherein once the first planar member **13A** is rotated and the cradle **14** positioned as desired, a pin **22** or other object may be inserted through corresponding alignment holes **15** of the planar members **13A**, **13B** holding the planar members and cradle **14** in a fixed position. The second planar member **13B** suitably includes at least a first hole **15**, but may include either a greater number of holes **15** or fewer holes than the number of holes **15** of the corresponding first planar member **13A**.

The alignment holes **15** represent intervals including a sweep angle ranging from zero degrees up to 360 degrees. In one suitable embodiment, the alignment holes **15** are configured to represent degree intervals ranging from about 1 degree up to about 360 degrees. In one particularly advantageous embodiment, the holes **15** are configured to represent forty-five degree intervals. In another particularly advantageous embodiment, the holes **15** are configured to represent 180 degree intervals. In another particularly advantageous embodiment, the holes **15** are configured to represent fifteen degree intervals. In other embodiments, the alignment holes **15** may be spaced non-uniformly as desired.

Accordingly, the possible orientations for the cradle **14** (and trail camera **150** supported therein) may be determined by (1) the number of alignment holes **15**, (2) the spacing or degree intervals between adjacent holes **15**, (3) the orientation of the fixed alignment holes **15** on the second planar member **13B** once the mounting device **10** has been fixed to a post **100**, and combinations thereof. The possible orientations for the cradle **14** may be altered even after the planar members **13A**, **13B** are locked together by simply rotating the mounting device **10** at the receiver **18** as desired. Consequently, the number of alignment holes **15**, spacing or degree intervals does not necessarily limit the possible orientations of the cradle **14** (and trail camera **150**) about a post **100**.

Similar to the other embodiments of the mounting device **10**, the embodiment depicted in FIGS. **7A**, **7B** provides a means for tethering a trail camera **150** or other object to the mounting device **10**. As shown in FIG. **7A**, the cradle **14** may include a tethering hole **26** for receiving a cable, rope, chain or comparable item. The cable, etc., may be attached to the

mounting device **10** at the tethering hole **26** and secured to the trail camera **150** depending on the make and model—most trail camera having a loop type fastener as shown in FIG. 7B. Thus, during operation the trail camera **150** may be guarded from theft via the tethering means **250**, and the mounting device **10** may be guarded from theft via the tamper proof locking assembly (the receiver **18**, security fastener **11** and lock guard **19**).

It is important to note that a trail camera **150** may be secured to a mounting device **10** using methods other than the tethering means **250**. For instance, the cradle **14** may be provided in the form of a cage securing the trail camera **150** therein.

Turning to FIG. 8A, another embodiment of the mounting device **10** effective to orient the cradle **14** in any direction up to 360 degrees is provided. As described above, this particular mounting device **10** is too rotatable up to 360 degrees about a post **100** in either direction at the receiver **18**. In this particular embodiment, the base **12** includes a curved plate **28** and a flat plate **29** operationally configured for tilting the cradle **14** (and the object housed therein) along a plane substantially parallel to the longitudinal axis of the receiver **18**. The curved plate **28** is defined by a slot **25** for receiving the center axis member **24**. Likewise, the flat plate **29** includes an aperture substantially centered there through for receiving the center axis member **24**—the curved plate **28** being rotatable about the flat plate **29** according to the center axis member **24** thereby orienting the cradle **14** (and trail camera **150**) in any direction up to 360 degrees.

The curved plate **28** may be tilted by directing the plate **28** about the center axis member **24** along slot **25**. In operation, once the curved plate **28** has been oriented as desired, the center axis member **24**, e.g., nut and bolt, may be tightened to hold the curved plate **28** at its desired orientation with respect to the flat plate **29**. In another embodiment, the curved plate **28** may be set at a desired orientation, there after the center axis member **24** may be inserted through both the slot **25** and an aperture in the flat plate **29** to bias the curved plate **28** against the flat plate **29**—fixing the curved plate **28** at the desired directional alignment and tilting angle of the cradle **14**.

With attention to FIG. 8B, the amount of cradle **14** tilt is dependent on (1) the length of the slot **25**, and/or (2) the shape of the curved plate **28**. Suitably, the base **12** may be operationally configured to tilt a cradle **14** (and trail camera **150** housed therein) up to about 180 degrees. As shown, the cradle **14** suitably includes U-shaped receiving brackets disposed on opposite sides of the curved plate **28** for receiving a trail camera **150** therein. The empty space between the curved plate **28** and each of the U-shaped receiving brackets may be used to secure a tethering means **250** to the mounting device **10**—eliminating the need for a tethering hole **26** as described above.

For purposes of this application, the mounting device **10** is not necessarily limited to any one particular material of construction. However, construction materials may depend on the intended use and/or location of the mounting device **10**. Suitably, the mounting device **10** is constructed from one or more materials including, but not necessarily limited to materials resistant to chipping, cracking, and breaking as a result of ozone, weathering, heat, moisture, other outside mechanical and chemical influences, as well as violent physical impacts of varying forces at varying speeds. Suitable materials include, but are not necessarily limited to composite materials, plastics, rubbers, ferrous metals, non-ferrous metals, and combinations thereof.

In one particularly advantageous embodiment, the mounting device **10** is constructed from plastic. In another particularly advantageous embodiment, the mounting device **10** is constructed from aluminum. In another particularly advantageous embodiment, the mounting device **10** is constructed from stainless steel. Both plastic and metal mounting devices **10** may be formed from molds. In another embodiment, plastic and metal mounting devices **10** may be pieced together. For example, metal mounting devices **10** may be mig-welded together.

The mounting device **10** may also comprise an outer protective layer as desired. For example, a mounting device **10** constructed from metal may have an outer coating of paint, for example, a powder coat. In another embodiment, the mounting device **10** may comprise an outer rubber layer. The mounting device **10** may also comprise a camouflage pattern. Furthermore, the mounting device **10** may also be configured to have a camouflage pattern substantially similar to the camouflage pattern of a particular brand of trail camera.

The invention will be better understood with reference to the following non-limiting examples, which are illustrative only and not intended to limit the present invention to a particular embodiment.

Example 1

In a first non-limiting example, a system **90** is provided for securing a trail camera **150** in a remote location (see FIGS. 9A-11). Suitably, the system includes a T-post **100**, a mounting device **10** for mating with a T-post, a cable **250**, and padlock **251**. The mounting device **10** includes the following parts: a base **12** and “T” shaped aperture **20** there through, a receiver **18**, a tamper proof lock guard **19**, a $\frac{7}{32} \times \frac{3}{8} \times \frac{1}{2}$ (5.5 mm×9.5 mm×12.7 mm) pan head hex pin security fastener **11**—604 stainless steel, a cradle **14** having a stabilizing bracket **40** and locking plate **41**, and a backing bracket **200**. With reference to FIGS. **10** and **11**, the mounting device **10** includes the following dimensions:

- D1: about 6.0 inches (15.2 cm)
- D2: about 4.0 inches (10.2 cm)
- D3: about 1.0 inches (2.54 cm)
- D4: about 7.0 inches (17.8 cm)
- D5: about 1.0 inches (2.54 cm)
- D6: from about 1.0 to about 5.0 inches (2.54 cm to about 12.7 cm)
- D7: about 0.25 inches (0.64 cm)
- D8: about 1.5 inches (3.81 cm)
- D9: about 1.0 inches (2.54 cm)
- D10: about 0.75 inches (1.91 cm)
- D11: about 1.0 inches (2.54 cm)
- D12: up to about 2.75 inches (6.99 cm)

The length of the receiver **18** may vary, however a receiver **18** suitable for mating with a T-post is about 3.0 inches (7.62 cm) in length.

Example 2

In a second non-limiting example depicted in FIG. **12**, a system **90** is provided for securing a trail camera **150** in a remote location. The system **90** includes the same components and same dimensions as Example 1 except for incorporating a different base **12** having two apertures there through: an “I” shaped aperture **20** and an “H” shaped aperture **21**. The base **12** includes a width of about 12.0 inches (30.5 cm) represented as D13.

Example 3

In a third non-limiting example depicted in FIG. **13**, a system **90** is provided for securing a trail camera **150** in a

11

remote location. The system 90 includes the same components as Example 1 and incorporates a mounting device 10 having a base 12 effective to orient the cradle 14 in any direction up to 360 degrees. Particular dimensions for this embodiment of the mounting device 10 include:

- D1: about 8.0 inches (20.3 cm)
- D2: from about 1.0 to about 5.0 inches (2.54 cm to about 12.7 cm)
- D3: about 1.0 inches (2.54 cm)
- D4: about 6.0 inches (15.2 cm)
- D5: about 0.5 inches (1.27 cm); each planar member being about 0.125 inches thick (about 0.32 cm)

Example 4

In a fourth non-limiting example depicted in FIG. 14, a system 90 is provided for securing a trail camera 150 in a remote location. The system 90 includes the same components as Example 1 and incorporates a mounting device 10 having a cradle 14 that may be both tilted and oriented in any direction up to 360 degrees. The particular dimensions for this embodiment of the mounting device 10 include:

- D1: from about 2.0 to about 6.0 inches (5.1 cm to about 15.2 cm)
- D2: about 5.0 inches (12.7 cm)
- D3: about 6.0 inches (15.2 cm); the curved plate being 6"x6" flat
- D4: from about 1.0 to about 5.0 inches (2.54 cm to about 12.7 cm)
- D5: about 4.0 inches (10.2 cm); the flat plate being 4"x4"
- D6: about 5.0 inches (12.7 cm)
- D7: about 1.5 inches (3.81 cm)

Persons of ordinary skill in the art will recognize that many modifications may be made to the present application without departing from the spirit and scope of the application. The embodiment(s) described herein are meant to be illustrative only and should not be taken as limiting the invention, which is defined in the claims.

I claim:

- 1. A device for securing an object to a T-post, the device being configured to face the object secured thereto in any direction up to 360 degrees about the T-post, comprising:
 - a mating surface including one or more "H" shaped apertures and one or more tamper proof locking means corresponding to the one or more apertures, each aperture being operationally configured to receive the T-post there through, each tamper proof locking means being operationally configured to secure the device to the T-post; and
 - a support attached to the mating surface, the support being operationally configured to secure the object thereto; wherein the mating surface includes a planar member.

12

2. The device of claim 1 wherein the tamper proof locking means includes a female type mating surface securable to the T-post via a biasing fastener.

3. The device of claim 2 wherein the tamper proof locking means includes a lock guard extending from the female type mating surface and configured to receive the biasing fastener therein, the longitudinal axis of the lock guard being substantially perpendicular to the longitudinal axis of the female type mating surface.

4. The device of claim 2 wherein at least part of the inner dimensions of the one or more "H" shaped apertures are substantially similar to the outer dimensions of the T-post.

5. The device of claim 2 wherein the biasing fastener is a tamper proof screw.

6. The device of claim 1 wherein the object is a trail camera.

7. The device of claim 6 wherein the trail camera is supported by a receptacle type receiver support.

8. A system for securing an object to a T-post, comprising: a mounting device including (1) a mating surface including a planar member having one or more apertures there through, each aperture being operationally configured to receive the T-post there through, and (2) a support attached to the planar member, the support being operationally configured to secure the object thereto; and a means for tethering the object to the mounting device; wherein the one or more apertures include an "H" shape.

9. The system of claim 8 wherein the mounting device comprises a tamper proof locking means including a female type mating surface for receiving the T-post there through.

10. A method for securing a trail camera to a pre-existing fence T-post comprising:

- providing a device having (1) a mating surface including a planar member including one or more apertures and one or more tamper proof locking means corresponding to the one or more apertures, each aperture being operationally configured to receive the T-post there through, each tamper proof locking means having a female type mating surface for receiving the T-post, the tamper proof locking means being operationally configured to secure the device to the T-post; (2) a support attached to the mating surface, the support being operationally configured to secure the trail camera thereto, wherein the one or more apertures include an "H" shape, and (3) a means for tethering the trail camera to said device;
- identifying a desirable fence T-post;
- slipping the device over the top of the T-post;
- applying a biasing means to secure the female type mating surface of the device to said T-post; and
- locking the trail camera to the device via said tethering means.

* * * * *